



CHRYSSAFIDIS

Profit

BY PIPING LOGISTICS

ΑΥΛΑΚΩΤΑ ΕΞΑΡΤΗΜΑΤΑ και ΕΞΟΠΛΙΣΜΟΣ ΠΥΡΟΣΒΕΣΗΣ
GROOVED FITTINGS & FIRE FIGHTING EQUIPMENT



EDITION 2024-09-27

Piping Logistics • T: +32 (0)53 64 51 00 • info@pipinglogistics.eu • www.pipinglogistics.eu

ABOUT PROFIT	5
REFERENCES	6
QUALITY	10
PROFIT ON SITE	12
CERTIFICATIONS	14
MARKETS	15
PREFABRICATED SPRINKLER PIPES	16
VALVES	20
THREADED BALL VALVE • THB-F	21
BUTTERFLY VALVE GROOVED END • GBV	22
BUTTERFLY VALVE WAFER END • WBV	23
OS&Y FLANGED GATE VALVE • FGOSY	24
OS&Y GROOVED GATE VALVE • GGOSY	25
NRS FLANGED GATE VALVE • FNRSL	26
NRS GROOVED GATE VALVE • GNRSL	27
WALL INDICATOR POST • WINPO	28
VERTICAL INDICATOR POST • VINPO	29
GROOVED CHECK VALVE • GCV	30
FLANGED CHECK VALVE • FCV	31
DOUBLE DOOR WAFER CHECK VALVE • WCV	32
ADJUSTABLE RELIEF VALVE • ARVT	33
WET ALARM VALVE FLANGED WITH TRIM • FACV	34
WET ALARM VALVE GROOVED WITH TRIM • GACV	35
DRY ALARM VALVE FLANGED WITH TRIM • DFACV	36
DRY ALARM VALVE GROOVED WITH TRIM • DGACV	37
FLANGED Y-STRAINER • FYST	38
GROOVED Y-STRAINER • GYST	39
AIR RELEASE VALVE • ARV	40
PRESSURE GAUGE VALVE • PGV	41
VALVE PARTS	42
MOTOR GONG FOR ALARM VALVES • WMG	43
STEM EXTENSION FOR BALL VALVE • THB STEM	44
MAINTENANCE SET FOR FLANGED CHECK VALVES • MS-FCV	44
MAINTENANCE SET FOR WET ALARM CHECK VALVES • MS-WV	45
CHECK VALVE FOR ACCELERATORS • DCV-DA	46
DRY ACCELERATOR • DA	46
AIR PRESSURE MAINTENANCE DEVICE • APMD	47
AUTOMATIC DRIP CHECK VALVE • ADCV	47
BRASS Y-STRAINER • DYST	48
BRASS CHECK VALVE • DCV-DV	48
MAINTENANCE SET FOR DRY ALARM CHECK VALVES • MS-DV	49
RUBBER DIAPHRAGM • DIAP-DV	49
SWITCHES	50
PRESSURE SWITCH • PRS	51
SUPERVISORY SWITCH FOR OS&Y GATE VALVES • SWOSY	52
SUPERVISORY SWITCH FOR INDICATOR POSTS • SWIP	53
WATERFLOW SWITCH • U-BOLT • WFS	54
WATERFLOW SWITCH • THREADED • WFST	55
PROFLEX	56
FLEXIBLE HOSE • UNBRAIDED • PFUH	57
FLEXIBLE HOSE • BRAIDED • PFBH	58
FLEXIBLE HOSE PARTS	59
GROOVED COUPLINGS & FITTINGS	62
FITPRO® FAST RIGID COUPLING • FITPRO	63
ANGLE-PAD RIGID COUPLING • GKA	64

RIGID COUPLING • GKS	65
FLEXIBLE COUPLING • GKF	66
HEAVY RIGID COUPLING ANGLE-PAD • GKSH	67
REDUCING COUPLING WITH STEEL RING • GRKF	68
U-BOLT SPRINKLER TEE • GST	69
FULL CASTING SPRINKLER TEE • GSTFC	70
MECHANICAL TEE • GMG	71
THREADED MECHANICAL TEE • GMD	73
ELBOW 11,25° • GB11	75
ELBOW 22,50° • GB22	76
ELBOW 45° • GB45	77
ELBOW 90° • GB90	78
REDUCING ELBOW 90° • GBD90	79
DRAIN ELBOW 90° • 2601	80
EQUAL TEE • GT	81
EQUAL CROSS • GC	82
CONCENTRIC REDUCER • GRC	83
ECCENTRIC REDUCER • GRE	85
THREADED CONCENTRIC REDUCER • GRCD	86
REDUCING TEE • GRT	88
THREADED REDUCING TEE • GRTD	90
END CAP • GE	92
END CAP WITH ECCENTRIC HOLE • GED	93
ADAPTER FLANGE • GAF16	94
SPLIT ADAPTER FLANGE • GSF16	95
THREADED ADAPTER, MALE THREAD BSPT • NGA	96
THREADED ADAPTER, FEMALE THREAD BSPT • SGA	97
MATERIALS	98
ROLL GROOVE SPECIFICATIONS	100
ACCESSORIES	101
NBR GASKETS	102
LUBRICANTS	103
GROOVE METER	104
GLOVES	105
CENTER PUNCH TOOL	105
PRESSURE GAUGE	106
UNION SIGHT GLASS ORIFICE	106
NOTES	107

Profit

BY PIPING LOGISTICS

Piping Logistics is a customer-oriented organisation that provides service in more than 7 different languages. We know each of our customers and therefore, we provide the best service to all clients according to their needs. You can count on us for flexible solutions, technical knowledge and correct administration. At Piping Logistics we produce and supply components for fire sprinkler and HVAC installations. Our business model consists in establishing long-term partnerships with our customers, keeping one of the largest stocks in Europe and providing excellent aftersales service and favorable sales conditions. With our privileged location in the centre of Europe, we strive for just-in-time deliveries.

The "PROFIT" brand has been established in the fire protection industry market for more than 15 years and more recently making a name in the HVAC industry as well. Nowadays the Profit brand consists of a wide range of grooved fittings, mechanical couplings and accessories combined with a growing range of valves, switches, flexible hoses and prefab sprinkler pipes. The company consists of our administrative offices, warehouse, QC department at production sites and own R&D engineering department. From this R&D department we focus on design and development of our own Profit branded products to make fire protection and life easier, and above all safer. The strategy of Piping Logistics is to provide our customers the best possible products for their installations.

MISSION

Piping Logistics aim is to be the European specialist with own self-designed (cast iron) grooved fitting products for the piping market. As independent player in the centre of Europe, we want to be the best possible partner for a wide range of components in different pipe systems.

VISION

Our goal is to become the specialist (high value) in Europe, offering a complete gamma of products (grooved fittings, valves and side-products) necessary for a piping installation, within a wide range of sectors. Our vision is to supply customers with products of high quality at a correct price where the availability and flexibility is our major asset.

TODAY, PIPING LOGISTICS IS ACTIVE IN MORE THAN 60 COUNTRIES, FOCUSING ON BUILDING LONG-LASTING RELATIONSHIPS WITH ITS PARTNERS IN THE FIRE PROTECTION & HVAC INDUSTRY.



REFERENCES

Hereby a highlight of some of our remarkable contributions across various sectors and locations, around the world. You can download a more complete list on our website or contact our sales or customer department to receive more references.

IGA AIRPORT
ISTANBUL, TURKEY



RESIDENTIAL TOWER
HESSAH AL MUBARAK
DISTRICT, KUWAIT



GRAND PARK HOTEL
ROVINJ, CROATIA



AIRPORT JOHN PAUL II
KRAKOW, POLAND



VGP TRIBLAVINA
BRATISLAVA, SLOVAKIA

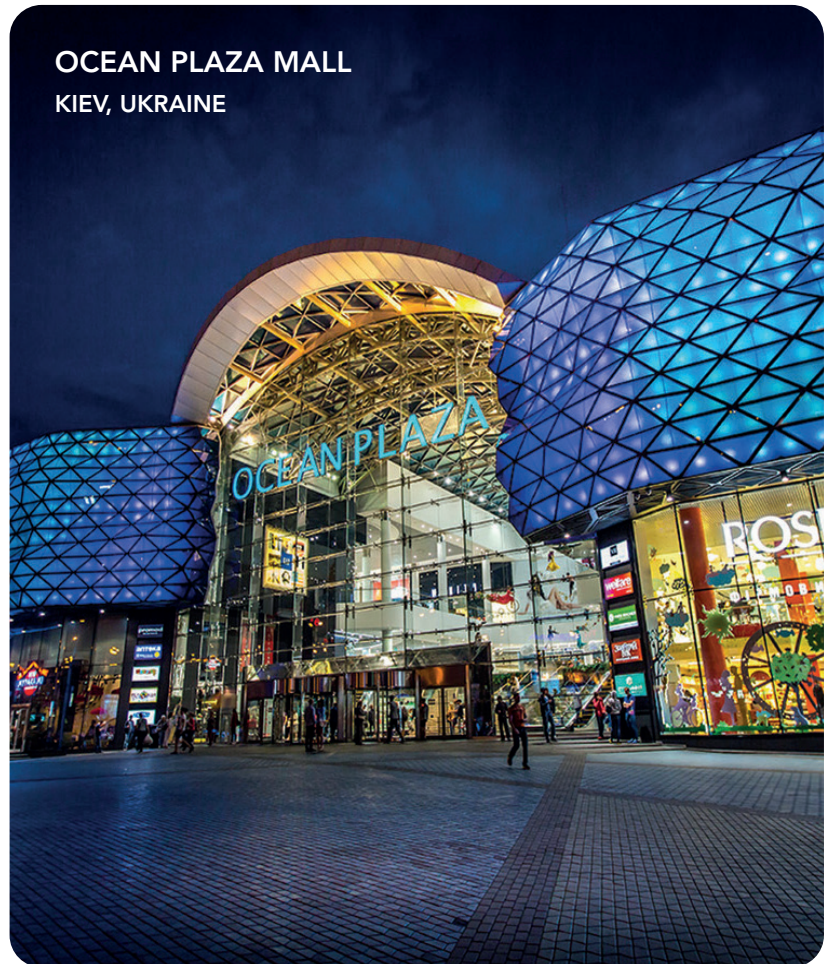


SAMSUNG FACTORY
GÖD, HUNGARY



MALL OF SFAX
SFAX, TUNISIA





REFERENCES

GALLERIA SANTA LUCIA
VARIANTE DE VALICO, ITALY



ALIBABA LOGISTICS CENTRE
LIEGE, BELGIUM



PALATA
BANJA LUKA, BOSNIA



HILTON PARK HOTEL
TALLINN, ESTONIA

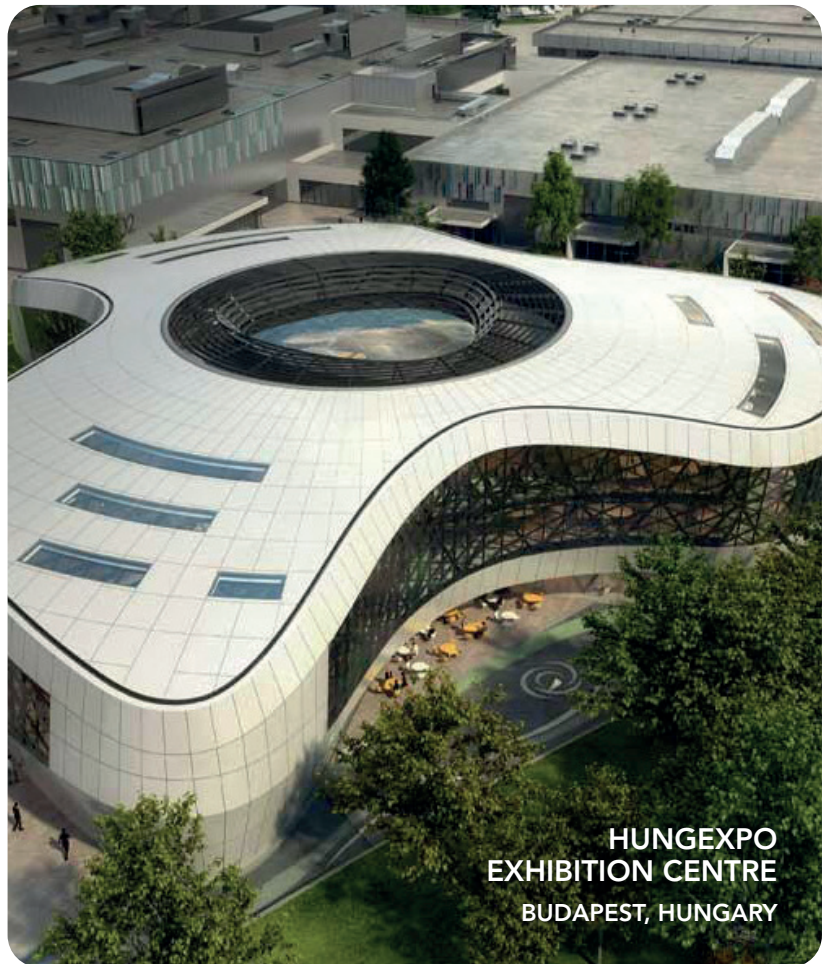


HUDDINGE HOSPITAL
HUDDINGE, SWEDEN



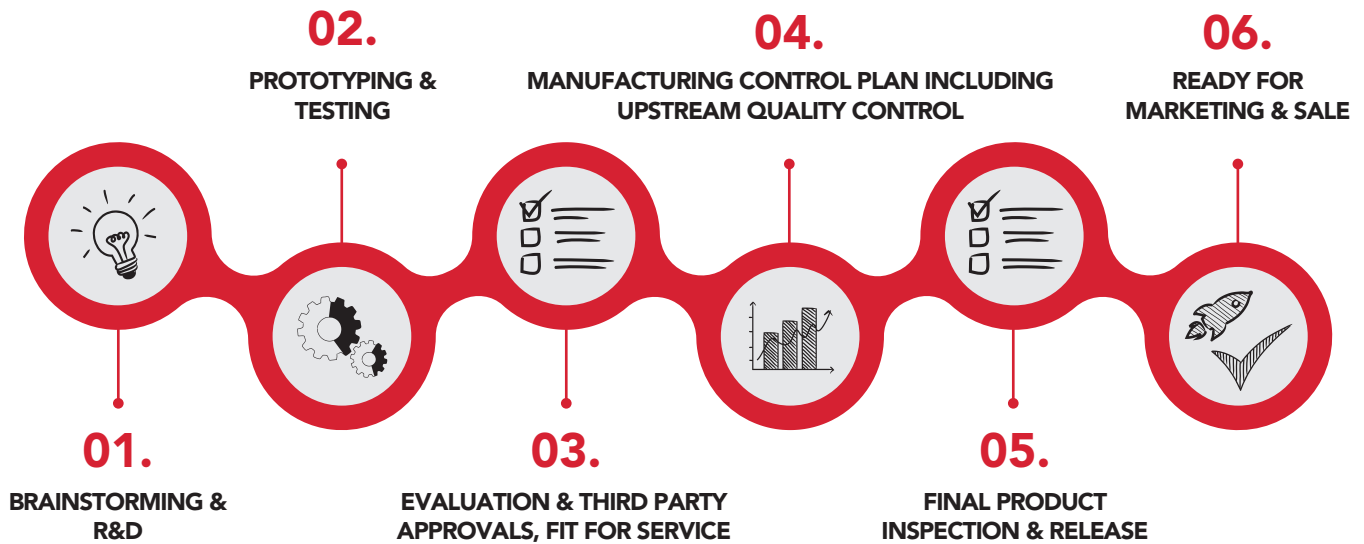
ENTAFARMA WAREHOUSE
ŠIRVINTOS, LITHUANIA



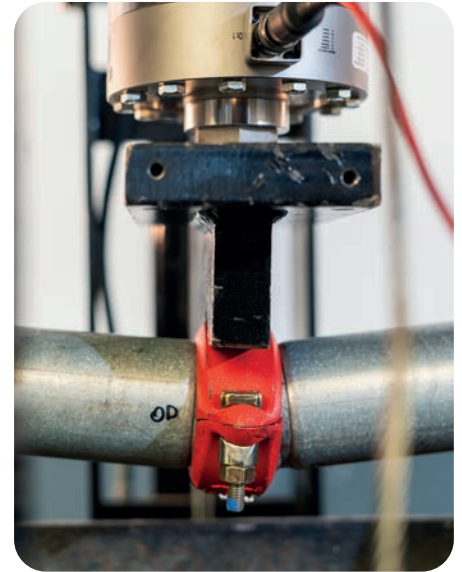


WE CARE FOR OUR CUSTOMERS, WE AIM FOR ZERO PRODUCT DEFECTS, WE DELIVER THE REQUIRED QUALITY.

We have established extensive quality control systems both upstream and downstream.



Profit QC engineers are resident at our manufacturing sites focusing to safeguard the quality of all parts, products & assemblies and strive to improve and find sustainable methods of manufacturing, applying our internal high quality standards.



In Europe, a team of engineers is active in the R&D department, including an extended laboratory to perform all necessary tests to guarantee an exceptional quality performance. We continuously search and develop new products and assess new supplier products before marketing.

SOME OF THE TESTS THAT WE CAN CONDUCT ARE LISTED BELOW:

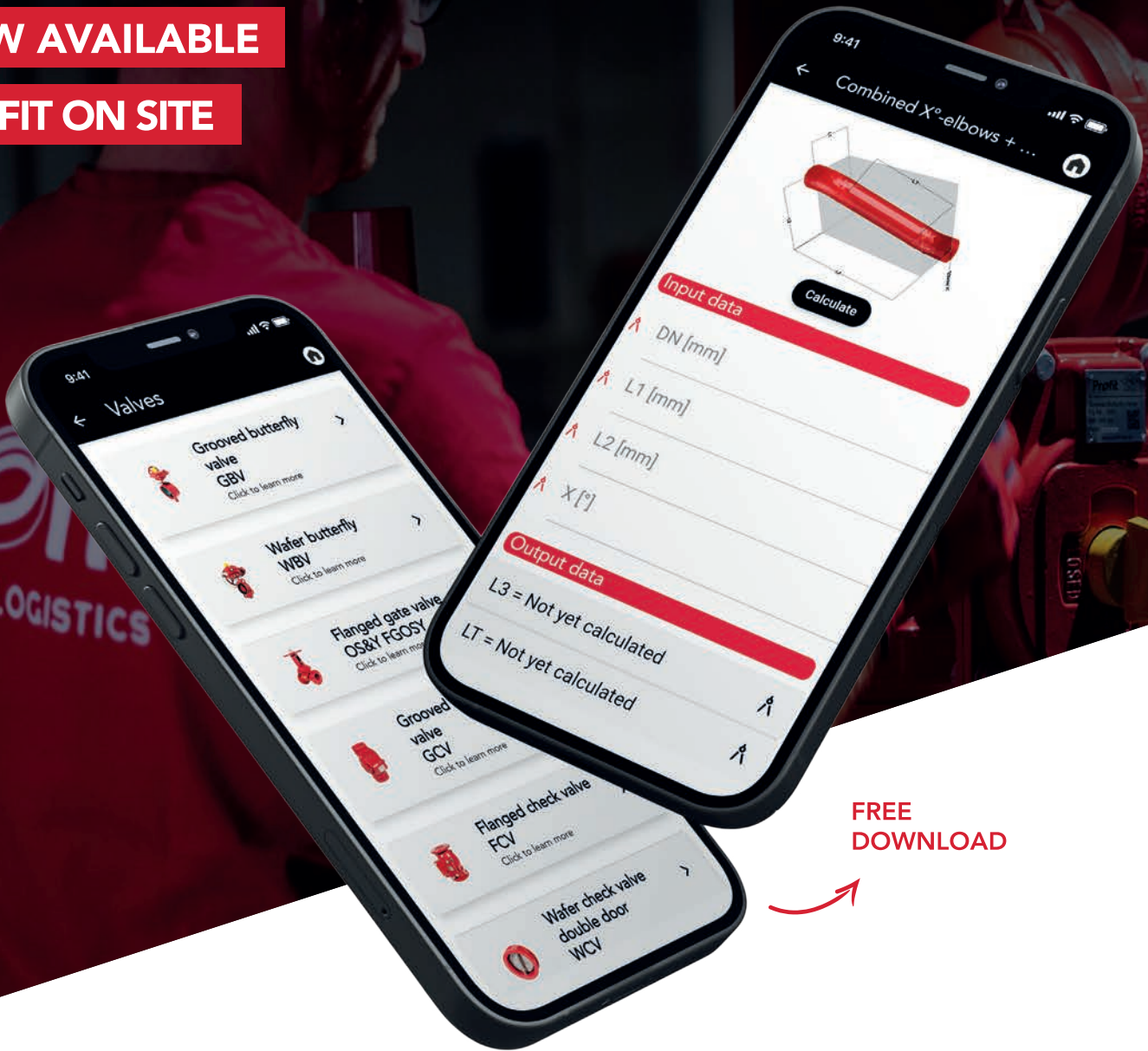
- Microscopic analysis (nodularity & matrix) of the cast iron, including software-analysis.
- Low pressure pneumatic leakage test.
- High pressure hydraulic pressure test.
- Coupling bending tests under high pressure (FM, UL & VdS).
- Shore A - rubber hardness test.
- Ultrasonic nodularity test.
- Paint and galvanisation coating thickness test.
- Salt spray corrosion-test.
- Hot and cold gasket rubber aging test in climate-chamber.
- Rubber compression test.
- Rubber tensile test.
- Rubber elongation test.
- Proof load test for nuts & bolts.
- Frost simulation test in climate-chamber.



Profit ON SITE

NOW AVAILABLE

PROFIT ON SITE



FREE
DOWNLOAD

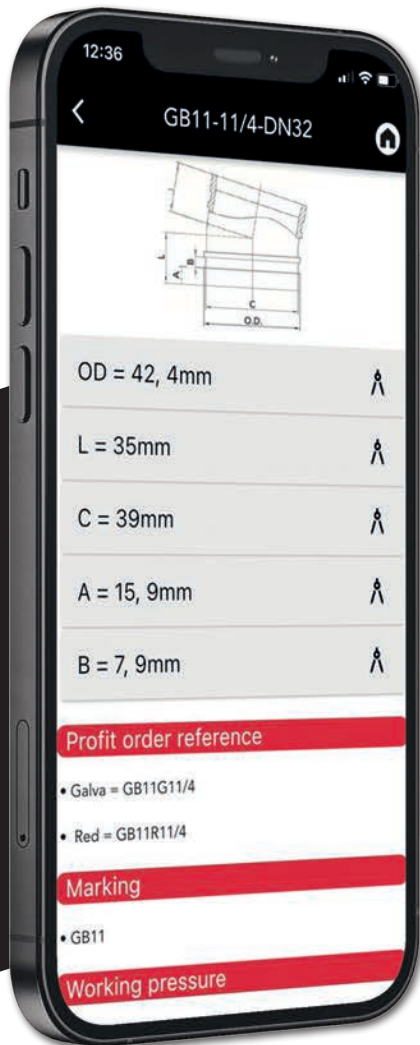
DIRECT ACCESS TO TECHNICAL PRODUCT INFORMATION,
CALCULATIONS AND COMBINATIONS.

SAVE TIME WITH PROFIT ON SITE

With the **Profit On Site** app on your smartphone or tablet, you have direct access to all technical information about Profit brand products, whether you are **on site or on the road**. This **user-friendly** app is the perfect tool for an **extensive product overview** with drawings, calculations and combinations. Simple & **fast access** to dimensional product information, latest technical datasheets, installation instructions and video tutorials. **Save time** with the **Profit On Site** app by quickly finding what you need in one place!

MAIN FEATURES

- Length calculations of combined fitting-fitting and fitting-pipespool combinations (2D & 3D).
- Offline access to all dimensional product data, including technical drawings (zoom-in possible).
- Online access to:
 - Installation instructions.
 - Technical datasheets.
 - Videos & tutorials.
- Save time: quickly find all info in one place.
- Fast, convenient and user-friendly.



**DOWNLOAD
OUR APP**







SCAN ME





ISO 9001:2015

ISO 9001:2015 is a quality management system standard.



[VIEW OUR ISO CERTIFICATION](#)



FM APPROVED

FM Approvals is an independent organisation that sets the standard in third-party certification in fire protection.



[VIEW OUR FM APPROVALS](#)



UL LISTED

UL is a global independent safety science company which guarantees the safety of among others fire protection products.



[VIEW OUR UL CERTIFICATIONS](#)



CNBOP APPROVED

CNBOP-PIB is the Polish Scientific and Research Centre for Fire Protection – National Research Institute with the mission of ensuring public safety in terms of fire protection.



[VIEW OUR CNBOP APPROVALS](#)



VDS APPROVED

VdS is a German independent testing institution which executes certification for products (components, equipment and systems) in the areas of fire protection and safety technology.



[VIEW OUR VDS APPROVALS](#)



CNPP CERTIFIED

CNPP certified is a French certification that guarantees compliance with the standards for security systems.



[VIEW OUR CNPP CERTIFICATIONS](#)



EAC CERTIFIED

The Eurasian Conformity mark (EAC) is a certification mark to indicate products that conform to all technical regulations of the Eurasian Customs Union.



[VIEW OUR EAC CERTIFICATIONS](#)



CE CERTIFIED

The CE certification serves as a declaration from the manufacturer that their product complies with the essential requirements of the relevant European health, safety and environmental legislation laid out in the different product directives.



[VIEW OUR CE CERTIFICATIONS](#)



CSTB CERTIFIED

The Centre Scientifique et Technique du Bâtiment (Scientific and Technical Center for Building) CSTB, is the French national organisation providing research and innovation, consultancy, testing, training and certification services in the construction industry.



[VIEW OUR CSTB CERTIFICATIONS](#)



FIRE PROTECTION

Wet & dry sprinkler piping installations used in:

- Industrial storage & installations.
- Hotels & leisure centres.
- Warehousing.
- Hospitals.
- Healthcare & sports facilities.
- Residential.
- Public transport & airports.



HEATING, VENTILATION AND AIR CONDITIONING

- Cooling systems.
- Heating systems.
- Glass houses.
- Air conditioning systems.
- Compressed air networks.
- Heat pump systems.
- Boilers.
- Refrigeration systems.
- Solar combi systems.



PREFAB SPRINKLER PIPES

Profit

0000-PPP24C203-01-11
PN 20BAR - EN10217-1
WWW.PROFITPIPEPRODUCTS.COM

PREFABRICATED SPRINKLER PIPES

Our new factory in Romania, Pro Piping Products, is specialised in the production of high quality prefabricated sprinkler pipes. There, we implement strict control measures to ensure each pipe meets the highest industry standards. Our new installations for welding, roller grooving, and painting are completely automated, guaranteeing high and consistent quality of welded products.



MORE INFO



Dimensions

DN	OD (mm)	NPS (inch)	Thickness (mm)	Min.length (m)	Max. length (m)	Weight (kg/m)	Length	
							6m	+6m
32	42,4	1¼"	2,6	3	6,25	2,55	in stock	on request
40	48,3	1½"	2,6	3	6,25	2,93	in stock	on request
50	60,3	2"	2,0	3	6,25	3,00	on request	on request
50	60,3	2"	2,6	3	6,25	3,70	in stock	on request
65	76,1	2½"	2,0	3	6,25	3,90	on request	on request
65	76,1	2½"	2,6	3	6,25	4,71	in stock	on request
80	88,9	3"	2,0	3	6,25	4,50	on request	on request
80	88,9	3"	2,9	3	6,25	6,15	in stock	on request
100	114,3	4"	3,2	3	6,25	8,77	in stock	on request
125	139,7	5"	3,6	3	6,25	12,10	in stock	on request
150	168,3	6"	4	3	6,25	16,21	in stock	on request
200	219,1	8"	4,5	3	6,25	23,82	in stock	on request



- Rolled groove dimensions according to AWWA C606.
- Markings are applied by inkjet printing for optimum quality and permanent adhesion, even under adverse external influences.
- Standard 10217-1 steel grade P235TR1.
- Pipe length tolerances = 0/+10mm.
- **Working pressure:** pressure nominal = 2,07 MPa / 20,7 bar / 300 psi.
- **Certifications and standards:**
 - FM standard approval (coming soon).
 - EN 10217-1.
 - ISU certificate.
 - ISO 9001.
 - ISO 14001.
- **Coating:**
 - Epoxy RAL 3000 (standard).
 - Galvanised and other colours (on request).



Plain end pipes and grooved sprinkler pipes (without outlets)

Dimensions and values

Standard: EN10217-1 ERW

DN	OD (mm)	NPS (inch)	Thickness (mm)	Min. length (m)	Max. length (m)	Weight (kg/m)	Length	
							6m	+6m
25	33,7	1"	2,3	0,2	6,25	1,78	in stock	on request
32	42,4	1¼"	2,6	0,2	6,25	2,55	in stock	on request
40	48,3	1½"	2,6	0,2	6,25	2,93	in stock	on request
50	60,3	2"	2,6	0,2	6,25	3,70	in stock	on request
65	76,1	2½"	2,6	0,2	6,25	4,71	in stock	on request
80	88,9	3"	2,9	0,2	6,25	6,15	in stock	on request
100	114,3	4"	3,2	0,2	6,25	8,77	in stock	on request
125	139,7	5"	3,6	0,2	6,25	12,10	in stock	on request
150	168,3	6"	4	0,2	6,25	16,21	in stock	on request
200	219,1	8"	4,5	0,2	6,25	23,82	in stock	on request



Outlet combinations

Pipe size	Threaded outlets					
	½"	¾"	1"	1¼"	1½"	2"
DN32	✓	✓	✓			
DN40	✓	✓	✓	✓		
DN65	✓	✓	✓	✓	✓	✓
DN80	✓	✓	✓	✓	✓	✓

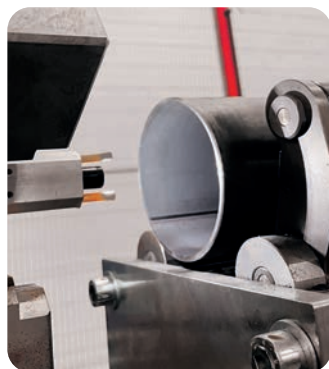
Pipe size	Grooved outlets					
	1"	1¼"	1½"	2"	2,5"	3"
DN32	✓					
DN40	✓	✓				
DN65	✓	✓	✓	✓		
DN80	✓	✓	✓	✓		
DN100				✓	✓	✓
DN125				✓	✓	✓
DN150				✓	✓	✓

Rolled groove dimensions according to AWWA C606



Nominal pipe size		Outside diameter	Gasket seat A	Groove width B	Groove diameter C		Groove depth D	Maximum outspread F
NPS (DN)	Size mm	Size mm	Tolerance +0,4 / -0,8 mm	Tolerance +0,8 / -0,4 mm	Size	Tolerance mm	mm	mm
1	25	33,7	15,9	7,1	30,2	+0 / -0,3	1,6	34,5
1¼	32	42,4	15,9	7,1	39,0	+0 / -0,4	1,6	43,3
1½	40	48,3	15,9	7,1	45,1	+0 / -0,4	1,6	49,4
2	50	60,3	15,9	8,7	57,2	+0 / -0,4	1,6	62,2
2½	65	76,1	15,9	8,7	72,3	+0 / -0,4	2,0	77,7
3	80	88,9	15,9	8,7	84,9	+0 / -0,4	2,0	90,6
4	100	114,3	15,9	8,7	110,1	+0 / -0,5	2,2	116,2
5	125	139,7	15,9	8,7	135,5	+0 / -0,5	2,2	141,7
6	150	168,3	15,9	8,7	164,0	+0 / -0,6	2,2	170,7
8	200	219,1	19,1	11,9	214,4	+0 / -0,6	2,4	221,5

Quality testing



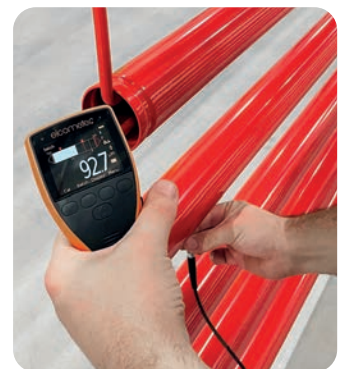
Automatic pipe seam detection & positioning



Liquid penetrant testing



Thermal optics QA



Layer thickness control

VALVES

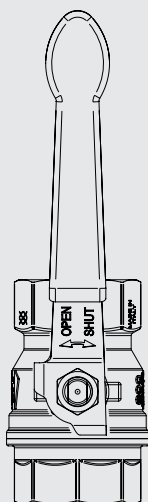


THREADED BALL VALVE • THB-F



DATASHEET

Profit ball valves type THB-F are full port high quality brass valves with female thread. They are used to control the flow of liquids and gases in a pipeline with the main purpose to completely shut off or to allow the flow, depending on the position of the handle.



Dimensions

Reference	Valve size	
	NPS (inch)	DN (mm)
THB-F ¼*	¼"	8
THB-F ½	½"	15
THB-F ¾	¾"	20
THB-F 1	1"	25
THB-F 1¼	1¼"	32
THB-F 1½	1½"	40
THB-F 2	2"	50
THB-F 2½**	2½"	65

* BRASS BODY, YELLOW PVC COATED HANDLE, NOT PROFIT BRANDED, UL/FM APPROVED (NO CE APPROVAL).

** AVAILABLE ON REQUEST ONLY (NO FM APPROVAL).



- Indoor & outdoor use.
- **Working pressure:**
- FM: 4,00 MPa / 40,0 bar / 600 psi.
- **Working temperature:** -40°C to +170°C.
- 24 hours 100% seal test guaranteed.
- Full port flow.
- **Standard:** EN 331 (*except THB-F ¼).
- 100% silicone free.
- Completely maintenance free.
- Nickel plated brass body.
- Red PVC coated Geomet® steel handle.



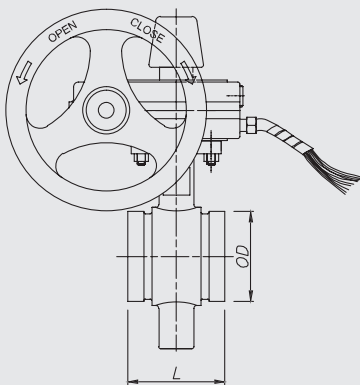
p.44 - THB STEM
STEM EXTENSION FOR
BALL VALVE



BUTTERFLY VALVE GROOVED END • GBV



Profit butterfly valves type GBV are indicating valves, with 2 built-in supervisory switches. They have a grooved in-and outlet and for installation the use of two Profit rigid couplings is recommended. The valves are designed to be used in fire protection sprinkler systems and HVAC systems.



Dimensions

Reference	Valve size		OD mm	L mm
	NPS (inch)	DN (mm)		
GBV2	2"	50	60,3	84
GBV2½	2½"	65	76,1	97
GBV3	3"	80	88,9	97
GBV4	4"	100	114,3	116
GBV5	5"	125	139,7	148
GBV6	6"	150	168,3	148
GBV8	8"	200	219,1	133
GBV10	10"	250	273,1	159
GBV12	12"	300	323,9	165

» Also available with CNPP approval from stock, on request.

The following sizes are also available on request, in container: 73mm / 141,3mm / 165,1mm.

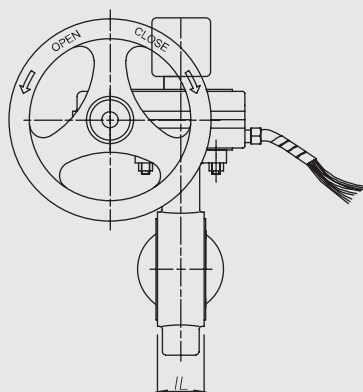


- Indoor use.
- Working pressure: 2,07 MPa / 20,7 bar / 300 psi.
- Manually operated with external gearbox with open / close directions on handwheel.
- Yellow open / close position indicator.
- Built-in supervisory switches:
 - One switch to guard the open valve position.
 - Other switch to guard the closed valve position.
- E/E dimension comply with MSS SP-67.
- Grooved ends according to AWWA C606 standard.
- Installation with two Profit grooved mechanical couplings.
- Anti-corrosion protection: high grade polyester powder coating, RAL 3000, meets or exceed AWWA C550 standards.

BUTTERFLY VALVE WAFER END • WBV



Profit butterfly valves type WBV are indicating valves, with 2 built-in supervisory switches. The wafer type body has vulcanised full face rubber gaskets and is installed between flanges. The valves are designed to be used in fire protection sprinkler systems and HVAC systems.



Reference	Valve size		IL = installed length mm
	NPS (inch)	DN (mm)	
WBV2	2"	50	43
WBV2½	2½"	65	46
WBV3	3"	80	46
WBV4	4"	100	52
WBV5	5"	125	56
WBV6	6"	150	56
WBV8	8"	200	60
WBV10	10"	250	68
WBV12	12"	300	78

» Also available with CNPP approval from stock, on request.



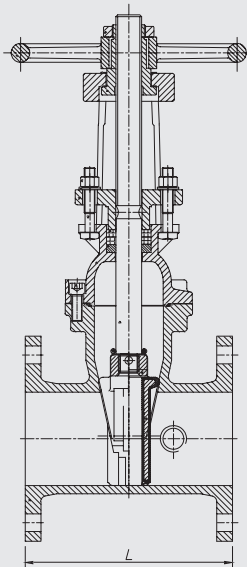
- Indoor use.
- **Working pressure:** 2,07 MPa / 20,7 bar / 300 psi.
- Manually operated with external gearbox with open / close directions on handwheel.
- Yellow open / close position indicator.
- Built-in supervisory switches:
 - One switch to guard the open valve position.
 - Other switch to guard the closed valve position.
- Valve body features 4 bolt-holes for easy mounting.
- F/F dimension comply with EN 558/series20 and ASME B16.10/narrow.
- Installation between flange-types EN 1092-PN10/16 and ASTM B16.5 Class 150/Class 125.
- **Anti-corrosion protection:** high grade polyester powder coating, RAL 3000, meets or exceed AWWA C550 standards.

OS&Y FLANGED GATE VALVE • FGOSY



DATASHEET

Profit gate valves type FGOSY are resilient seated gate valves. The flanged cast iron body has a ductile iron wedge with vulcanised rubber lining. The valves are designed to be used in fire protection sprinkler systems and HVAC systems.



Reference	Dimensions		L mm/inch
	Valve size		
	NPS (inch)	DN (mm)	
FGOSY2*	2"	50	178 / 7
FGOSY2½*	2½"	65	190 / 7,5
FGOSY3*	3"	80	203 / 8
FGOSY4	4"	100	229 / 9
FGOSY5*	5"	125	254 / 10
FGOSY6	6"	150	267 / 10,5
FGOSY8	8"	200	292 / 11,5
FGOSY10	10"	250	330 / 13
FGOSY12	12"	300	356 / 14

* ONLY AVAILABLE IN CONTAINER DIRECTLY FROM FACTORY



- Indoor & outdoor use.
- **Working pressure:**
 - FM: 2,07 MPa / 20,7 bar / 300 psi.
- Manually operated with a hand-wheel.
- **Installation between flange-types EN 1092-PN10/16:**
 - DN50 to DN150: PN 10/16.
 - DN200 to DN300: PN16, PN10 available directly from factory.
 - Class 125: available directly from factory.
 - Class 150: available directly from factory (except 2", 2,5", 3").
- F/F dimension comply with EN 558/series3, ASME B16.10 and ISO 5752.
- Full bore waterway body.
- Resilient wedge.
- Suitable for use in vertical and horizontal piping.
- **Anti-corrosion protection:** high grade polyester powder coating, RAL 3000, meets or exceed AWWA C550 standards.
- Pre-notched stem to accommodate an (optional) supervisory switch.



p.52 - SWOSY
SUPERVISORY SWITCH
FOR OS&Y VALVE



OS&Y GROOVED GATE VALVE • GGOSY

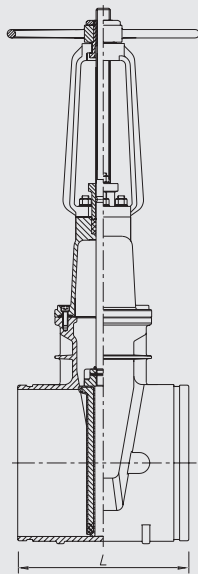


DATASHEET

Profit gate valves type GGOSY are resilient seated gate valves. The grooved cast iron body has a ductile iron wedge with vulcanised rubber lining. The valves are designed to be used in fire protection sprinkler systems and HVAC systems.



ONLY AVAILABLE IN CONTAINER DIRECTLY FROM FACTORY.



Dimensions			
Reference	Valve size		L mm/inch
	NPS (inch)	DN (mm)	
GGOSY2	2"	50	178 / 7
GGOSY2½	2½"	65	190 / 7,5
GGOSY3	3"	80	203 / 8
GGOSY4	4"	100	229 / 9
GGOSY5	5"	125	254 / 10
GGOSY6	6"	150	267 / 10,5
GGOSY8	8"	200	292 / 11,5
GGOSY10	10"	250	330 / 13
GGOSY12	12"	300	356 / 14



- Indoor & outdoor use.
- **Working pressure:** 2,07 MPa / 20,7 bar / 300 psi.
- Manually operated with a hand-wheel.
- Grooved ends according to AWWA C606 standard.
- Installation with two Profit grooved mechanical couplings.
- Full bore waterway body.
- Resilient wedge.
- Suitable for use in vertical and horizontal piping.
- **Anti-corrosion protection:** high grade polyester powder coating, RAL 3000, meets or exceed AWWA C550 standards.
- Pre-notched stem to accommodate an (optional) supervisory switch.



p.52 - SWOSY
SUPERVISORY SWITCH
FOR OS&Y VALVE

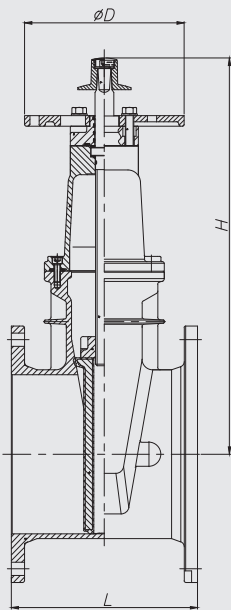
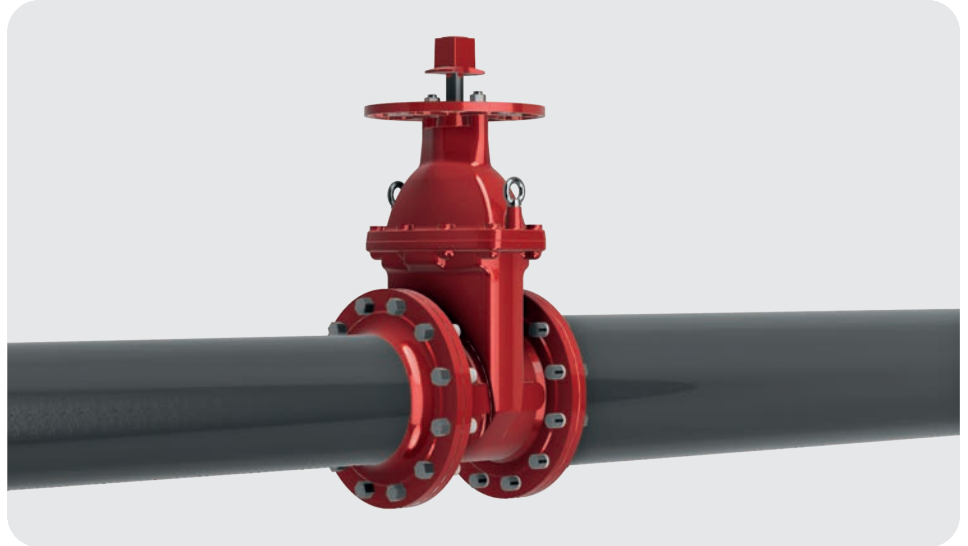


NRS FLANGED GATE VALVE • FNRSL



DATASHEET

Profit gate valves type FNRSL are resilient seated gate valves with a non-rising stem and flanged ends. Typically used in fire protection systems as a manual operated isolation valve.



Reference	Valve size		L mm/inch	H mm/inch	D mm/inch
	NPS (inch)	DN (mm)			
FNRSL2-IP*	2"	50	178 / 7	277 / 10,9	305 / 12
FNRSL2½-IP*	2½"	65	191 / 7,5	295 / 11,6	305 / 12
FNRSL3-IP*	3"	80	203 / 8	336 / 13,2	305 / 12
FNRSL4-IP	4"	100	229 / 9	361 / 14,2	305 / 12
FNRSL5-IP*	5"	125	254 / 10	432 / 17	305 / 12
FNRSL6-IP	6"	150	267 / 10,5	472 / 18,6	305 / 12
FNRSL8-IP	8"	200	292 / 11,5	570 / 22,4	305 / 12
FNRSL10-IP*	10"	250	330 / 13	665 / 26,2	305 / 12
FNRSL12-IP*	12"	300	356 / 14	747 / 29,4	305 / 12

* ONLY AVAILABLE IN CONTAINER DIRECTLY FROM FACTORY



- Indoor & outdoor use.
- **UL listed:** sizes 2½" (DN65) – 12" (DN300).
- **FM approved:** sizes 2" (DN50) – 12" (DN300).
- **Working pressure:** 2,07 MPa / 20,7 bar / 300 psi.
- Installation between flange-types EN 1092-PN16.
 - Available on request: ANSI B16.1 Class 125/ASME B16.42, class 150.
- Dimension comply with EN 558/series3, ANSI/ASME B16.10.
- Standard cap top for connection with indicator post, available with handwheel on request.
- Full bore waterway body.
- Sizes 4"-12" are available with connection to fit Profit indicator post type WINPO and VINPO.
- **Anti-corrosion protection:** high grade polyester powder coating, RAL 3000, meets or exceed AWWA C550 standards.



p.28 - WINPO
WALL-MOUNTED
INDICATOR POST



p.29 - VINPO
VERTICAL
INDICATOR POST

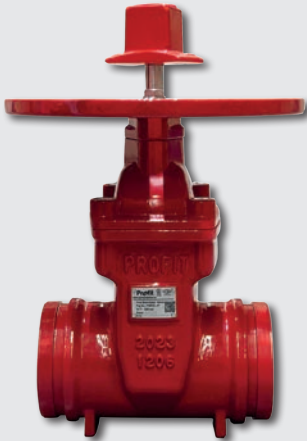


NRS GROOVED GATE VALVE • GNRSL

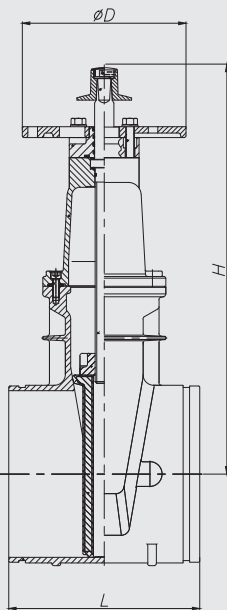


DATASHEET

Profit gate valves type GNRSL are resilient seated gate valves with a non-rising stem and grooved ends. Typically used in fire protection systems as a manual operated isolation valve.



ONLY AVAILABLE IN CONTAINER DIRECTLY FROM FACTORY.



Dimensions

Reference	Valve size		L mm/inch	H mm/inch	D mm/inch
	NPS (inch)	DN (mm)			
GNRSL2-IP	2"	50	178 / 7	277 / 10,9	305 / 12
GNRSL2½-IP	2½"	65	191 / 7,5	295 / 11,6	305 / 12
GNRSL3-IP	3"	80	203 / 8	336 / 13,2	305 / 12
GNRSL4-IP	4"	100	229 / 9	361 / 14,2	305 / 12
GNRSL5-IP	5"	125	254 / 10	432 / 17	305 / 12
GNRSL6-IP	6"	150	267 / 10,5	472 / 18,6	305 / 12
GNRSL8-IP	8"	200	292 / 11,5	570 / 22,4	305 / 12
GNRSL10-IP	10"	250	330 / 13	665 / 26,2	305 / 12
GNRSL12-IP	12"	300	356 / 14	747 / 29,4	305 / 12



- Indoor & outdoor use.
- **UL listed:** sizes 2½" (DN65) – 12" (DN300).
- **FM approved:** sizes 2" (DN50) – 12" (DN300).
- **Working pressure:** 2,07 MPa / 20,7 bar / 300 psi.
- Grooved ends to AWWA C606 standards.
- Installation with two Profit grooved mechanical couplings.
- Full bore waterway body.
- Standard cap top for connection with indicator post, available with handwheel on request.
- Sizes 4"-12" are available with connection to fit Profit indicator post type WINPO and VINPO.
- **Anti-corrosion protection:** high grade polyester powder coating, RAL 3000, meets or exceed AWWA C550 standards.



p.28 - WINPO
WALL-MOUNTED
INDICATOR POST



p.29 - VINPO
VERTICAL
INDICATOR POST

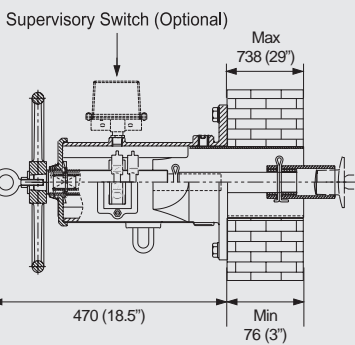
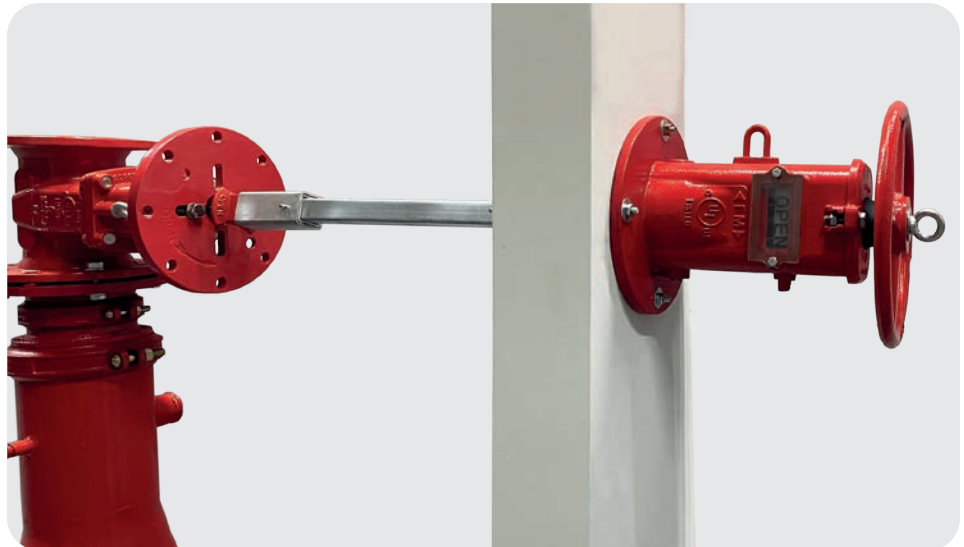


WALL INDICATOR POST • WINPO



DATASHEET

Profit wall indicator posts type WINPO are used for remote operation of an NRS gate valve. With the built-in indicator, the open or closed position of the NRS gate valve is visualised. It can be placed on the outside part of a wall.



Reference
WINPO

» Page 53: supervisory switch (type SWIP) available, on request.



- Indoor & outdoor use.
- **UL listed / FM approved:** sizes 4" (DN100) – 14" (DN350).
- Meets or exceeds the requirements of NFPA24 standard.
- Manually operated with handwheel.
- The handwheel is fastened to the post with an eyebolt so the post can be secured in position using a padlock and chain (provided by user).
- Telescopic operating rod can adapt to a desired wall thickness until 29"/738mm.
- Easy mounting and adjusting to the desired valve size.
- **Anti-corrosion protection:** high grade polyester powder coating, RAL 3000, meets or exceed AWWA C550 standards.
- **Operating rod:** galvanised.



p.26 - FNRSL
NRS FLANGED
GATE VALVE



p.27 - GNRSL
NRS GROOVED
GATE VALVE



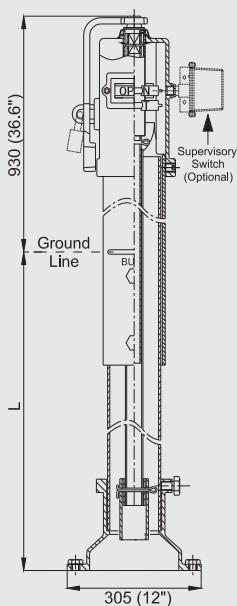
VERTICAL INDICATOR POST • VINPO



Profit vertical indicator posts type VINPO are used for remote operation of an NRS gate valve. With the built-in indicator, the open or closed position of the NRS gate valve is visualised. It can be placed above ground level.



ONLY AVAILABLE IN CONTAINER DIRECTLY FROM FACTORY.



Reference	Dimensions			
	Size L			
	Min		Max	
	inch	mm	inch	mm
VINPO - A	18,25	464	39,5	1003
VINPO - B	36	914	60,5	1537
VINPO - C	57	1448	81,5	2070
VINPO - D	78	1981	102,5	2604
VINPO - E	99	2515	123,5	3137
VINPO - F	120	3048	144,5	3670
VINPO - G	148,5	3772	168	4267

» Page 53: supervisory switch (type SWIP) available, on request.



- Indoor & outdoor use.
- **UL listed / FM approved:** sizes 4" (DN100) – 14" (DN350).
- Meets or exceeds the requirements of NFPA24 standard.
- It's operated by an L-shaped handle that can be secured by a padlock (provided by user).
- Indicator posts are designed to withstand up to 900 ftlb / 1220Nm of operating torque.
- Telescopic rod that can be adjusted to its final position without field cutting of the stem.
- Easy mounting and adjusting to the desired valve size.
- **Anti-corrosion protection:** high grade polyester powder coating, RAL 3000, meets or exceed AWWA C550 standards.
- **Lower barrel:** black bitumen coated.



p.26 - FNRSL
NRS FLANGED
GATE VALVE



p.27 - GNRSL
NRS GROOVED
GATE VALVE

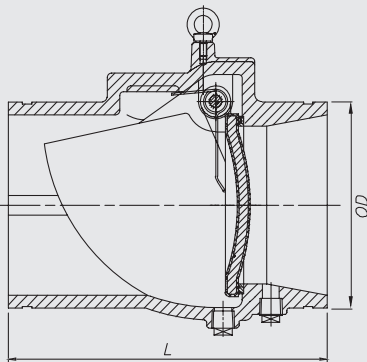


GROOVED CHECK VALVE • GCV



DATASHEET

Profit check valves type GCV are swing-type valves that allow water flow in one direction. They have a grooved in-and outlet and for installation we recommend the use of two Profit mechanical couplings. The valves are designed to be used in fire protection sprinkler systems and HVAC systems.



Dimensions

Reference	Valve size		OD mm	L mm/inch
	NPS (inch)	DN (mm)		
GCV2	2"	50	60,3	190 / 7,5
GCV2½	2½"	65	76,1	203 / 8
GCV3	3"	80	88,9	213 / 8,38
GCV4	4"	100	114,3	245 / 9,65
GCV5	5"	125	139,7	267 / 10,5
GCV6	6"	150	168,3	292 / 11,5
GCV8	8"	200	219,1	356 / 14
GCV10	10"	250	273,1	432 / 17
GCV12	12"	300	323,9	495 / 19,5



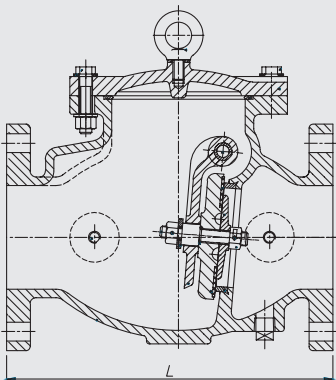
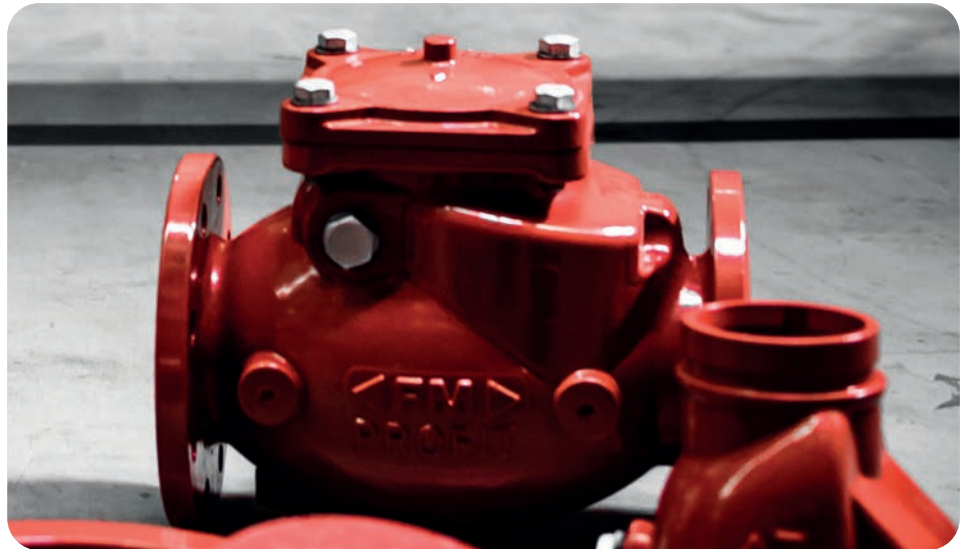
- Indoor & outdoor use.
- **Working pressure:**
- FM: 2,07 MPa / 20,7 bar / 300 psi.
- Resilient seating. The swing-disc is fully encapsulated with EPDM.
- Spring loaded disc for fast closure and to minimise water hammer.
- Grooved ends according to AWWA C606 standard.
- Including two plugged drain connections.
- Installation in vertical flow (upwards) and horizontal pipes is allowed.
- Installation with two Profit grooved mechanical couplings.
- Very low pressure losses, even at high flow rates.
- **Anti-corrosion protection:** high grade polyester powder coating RAL 3000, meets or exceed AWWA C550 standards.



FLANGED CHECK VALVE • FCV



Profit check valves type FCV are swing-type valves that allow water flow in one direction. They have a fixed flange on the in-and outlet. The valves are designed to be used in fire protection sprinkler systems and HVAC systems.



Dimensions			
Reference	Valve size		L mm/inch
	NPS (inch)	DN (mm)	
FCV2*	2"	50	203 / 8
FCV2½*	2½"	65	254 / 10
FCV3	3"	80	279 / 11
FCV4	4"	100	330 / 13
FCV5*	5"	125	356 / 14
FCV6	6"	150	406 / 16
FCV8	8"	200	495 / 19,5
FCV10	10"	250	559 / 22
FCV12	12"	300	660 / 26

* ONLY AVAILABLE IN CONTAINER DIRECTLY FROM FACTORY



- Indoor & outdoor use.
- **Working pressure:**
- FM: 2,07 MPa / 20,7 bar / 300 psi.
- Resilient seating with EPDM against a bronze ring.
- Gravity operated, swing check design.
- Flanged ends according to EN 1092-PN16 standard.
- Meets the AWWA C508 standard.
- Including two plugged side-connections and one bottom drain connection.
- Eye bolt for lifting on bigger sizes (6"-12").
- Installation in vertical flow (upwards) and horizontal pipes is allowed.
- Very low pressure losses, even at high flow rates.
- **Anti-corrosion protection:** high grade polyester powder coating, RAL 3000, meets or exceed AWWA C550 standards.
- Equipped with a maintenance hatch.



p.44 - MS-FCV
MAINTENANCE SET FOR
FLANGED CHECK VALVES

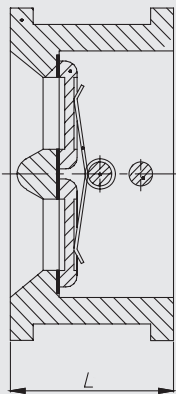


DOUBLE DOOR WAFER CHECK VALVE • WCV



DATASHEET

Profit check valves type WCV are swing-type twin disc check valves that allow water flow in one direction. The valves are designed to be used in fire protection sprinkler systems and HVAC systems.



Dimensions

Reference	Valve size		L mm
	NPS (inch)	DN (mm)	
WCV-16-4	4"	100	64
WCV-16-6	6"	150	76
WCV-16-8	8"	200	95
WCV-16-10	10"	250	108
WCV-16-12	12"	300	143



- Indoor & outdoor use.
- **Working pressure:** 1,6 MPa / 16 bar / 232 psi.
- Resilient seating for perfect tightness, also at low differential pressure.
- Double door check valve system.
- Spring assisted disc for excellent dynamic behaviour.
- Short face to face dimensions and compact design.
- Installation in vertical and horizontal pipes is allowed.
- Installation by use of two extra gaskets between pipe-flanges, flange types: EN 1092/PN10/PN16 and ANSI B16.1/Class 125/Class 150.
- **Anti-corrosion protection:** high grade polyester powder coating, RAL 3000.

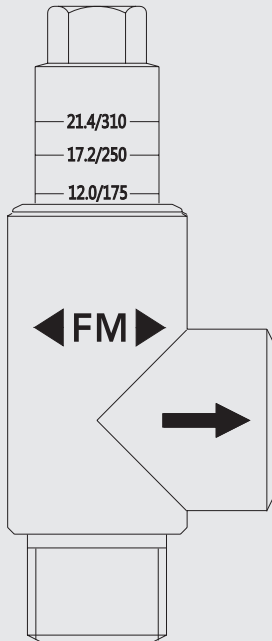


ADJUSTABLE RELIEF VALVE • ARVT



DATASHEET

The Profit adjustable pressure relief valves type ARVT are reliable safety valves that will relieve excess pressure in wet sprinkler systems. Excess pressure can be caused by surges or temperature changes.



Reference

ARVT½



- Indoor use.
- **Working pressure:** maximum 2,14 MPa / 21,4 bar / 310 psi.
- Pressure relief valve with adjustable pressure feature.
- Compliant with NFPA13-requirements.
- Each valve will be factory calibrated at 1,28 MPa / 12,8 bar / 185 psi.
- 3 pre-marked indications to adjust the valve to opening pressures:
 - 1,21 MPa / 12,1 bar / 175 psi.
 - 1,72 MPa / 17,2 bar / 250 psi.
 - 2,14 MPa / 21,4 bar / 310 psi.

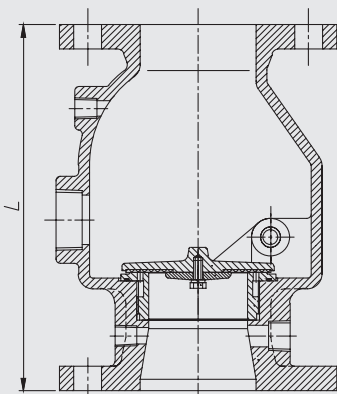


WET ALARM VALVE FLANGED WITH TRIM • FACV



DATASHEET

Profit wet alarm check valves type FACV are swing-type check valves that allow water flow in one direction. They automatically actuate an electric or hydraulic alarm when one or more sprinkler-heads are activated. Type FACV has a fixed flange on the in-and outlet. The valves are designed to be used in WET fire protection sprinkler systems.



Reference	Dimensions		L mm
	Valve size		
	NPS (inch)	DN (mm)	
FACV3*	3"	80	257
FACV4	4"	100	270
FACV6	6"	150	340
FACV8	8"	200	432

* ONLY AVAILABLE IN CONTAINER DIRECTLY FROM FACTORY



- Indoor use for WET sprinkler systems only.
- **Working pressure:**
 - FM: 2,07 MPa / 20,7 bar / 300 psi.
 - CE: 1,60 MPa / 16,0 bar / 232 psi.
- Resilient seating with EPDM against a bronze ring.
- Installation is allowed only in vertical pipes.
- **Valve outer ends:**
 - Flanged ends (FACV) according to EN 1092-PN16 standard.
- Meets the AWWA C508 standard.
- Including a pre-assembled vertical trimset in accordance with FM / CE regulations.
- The trimset includes a retard chamber and a pressure switch. A water gong motor is available in option. The trimset features high quality parts and is build-up with union fittings for easy after-service.
- **Anti-corrosion protection:** high grade polyester powder coating, meets or exceed AWWA C550 standards.
- Check valve can be used outdoors, we do not recommend to use the standard trimset for outdoor application.
- **Included with alarm valve:**
 1. Trimset.
 2. Pressure gauges (x2).
 3. Retard chamber.
 4. Pressure switch.
 5. Drain valve.



p.43 - WMG
WATER MOTOR GONG
FOR ALARM VALVES



p.45 - MS-WV
MAINTENANCE SET FOR
FLANGED CHECK VALVES



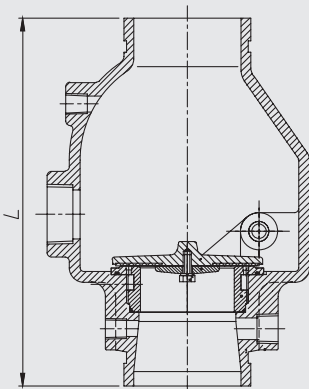
p.51 - PRS
PRESSURE SWITCH



WET ALARM VALVE GROOVED WITH TRIM • GACV



Profit wet alarm check valves type GACV are swing-type check valves that allow water flow in one direction. They automatically actuate an electric or hydraulic alarm when one or more sprinkler-heads are activated. Type GACV has a grooved in-and outlet. The valves are designed to be used in WET fire protection.



Reference	Valve size		L mm
	NPS (inch)	DN (mm)	
GACV3	3"	80	257
GACV4	4"	100	270
GACV6	6"	150	340
GACV8	8"	200	432

» p.43 - WMG
WATER MOTOR GONG
FOR ALARM VALVES



» p.45 - MS-WV
MAINTENANCE SET FOR
FLANGED CHECK VALVES



» p.51 - PRS
PRESSURE SWITCH



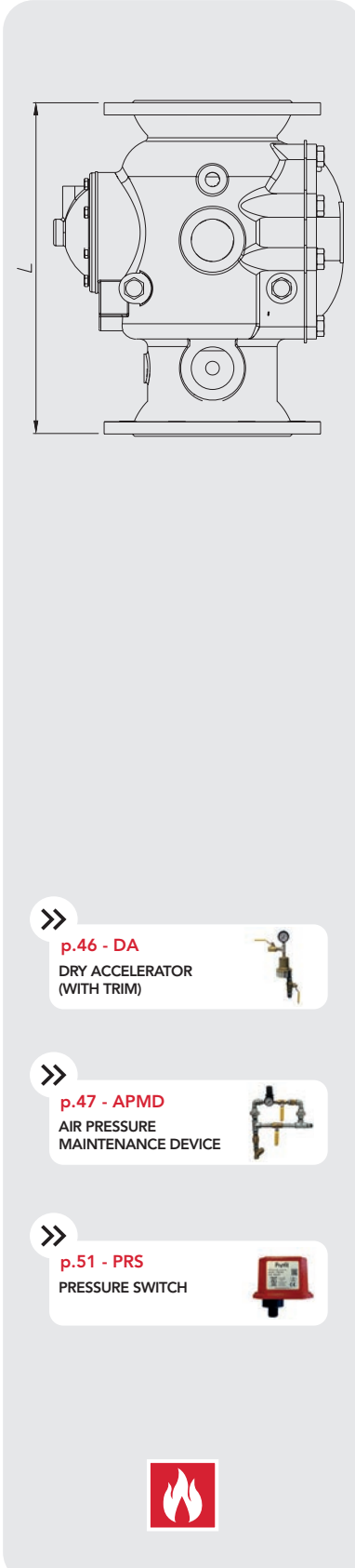
- Indoor use for WET sprinkler systems only.
- **Working pressure:**
 - FM: 2,07 MPa / 20,7 bar / 300 psi.
 - CE: 1,60 MPa / 16,0 bar / 232 psi.
- Resilient seating with EPDM against a bronze ring.
- Installation is allowed only in vertical pipes.
- **Valve outer ends:**
 - Grooved ends (GACV): grooves according AWWA.
- Meets the AWWA C508 standard.
- Installation by use of two Profit grooved mechanical couplings.
- Including a pre-assembled vertical trimset in accordance with FM / CE regulations
- The trimset includes a retard chamber and a pressure switch. A water gong motor is available in option. The trimset features high quality parts and is build-up with union fittings for easy after-service.
- **Anti-corrosion protection:** high grade polyester powder coating, meets or exceed AWWA C550 standards.
- Check valve can be used outdoors, we do not recommend to use the standard trimset for outdoor application.
- **Included with alarm valve:**
 1. Trimset.
 2. Pressure gauges (x2).
 3. Retard chamber.
 4. Pressure switch.
 5. Drain valve.

DRY ALARM VALVE FLANGED WITH TRIM • DFACV



DATASHEET

Profit dry alarm check valves type DFACV are resilient seated alarm valves, ready for installation in low pressure dry pipe sprinkler systems. They are supplied with plug and play trimset. Several optional items are also available.



ONLY AVAILABLE IN CONTAINER DIRECTLY FROM FACTORY.

Reference	Dimensions		L mm
	Valve size		
	NPS (inch)	DN (mm)	
DFACV3	3"	80	325
DFACV4	4"	100	355
DFACV6	6"	150	431
DFACV8	8"	200	460



- Indoor use for DRY sprinkler systems only.
- Suitable for use in vertical piping.
- **Working pressure (water):**
 - Minimum 0,21 MPa / 2,1 bar / 30 psi.
 - Maximum 2,07 MPa / 20,7 bar / 300 psi.
- **Recommended air pressure:**

Water pressure		Recommended pressure	
psi	bar	psi	bar
30-140	2,1-9,7	15	1
141-250	9,7-17,3	21	1,5
251-300	17,3-20,7	24	1,7

- **Installation:**
 - Between flange-types EN 1092-PN16.
 - Also available: ANSI B16.1 Class 125/ASME B16.42, Class 150.
- **Anti-corrosion protection:**
 - Valve: high grade polyester powder coating, meets or exceed AWWA C550 standards.
 - Trim: galvanised accessories & brass products.

» **p.46 - DA**
DRY ACCELERATOR
(WITH TRIM)

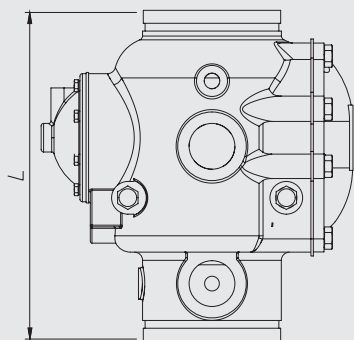
» **p.47 - APMD**
AIR PRESSURE
MAINTENANCE DEVICE

» **p.51 - PRS**
PRESSURE SWITCH

DRY ALARM VALVE GROOVED WITH TRIM • DGACV



Profit dry alarm check valves type DGACV are resilient seated alarm valves, ready for installation in low pressure dry pipe sprinkler systems. They are supplied with plug and play trimset. Several optional items are also available.



Reference	Dimensions		L mm
	Valve size		
	NPS (inch)	DN (mm)	
DGACV3	3"	80	310
DGACV4	4"	100	343
DGACV6	6"	150	405
DGACV8	8"	200	445



- Indoor use for DRY sprinkler systems only.
- Suitable for use in vertical piping.
- **Working pressure (water):**
 - Minimum 0,21 MPa / 2,1 bar / 30 psi.
 - Maximum 2,07 MPa / 20,7 bar / 300 psi.
- **Recommended air pressure:**

Water pressure		Recommended pressure	
psi	bar	psi	bar
30-140	2,1-9,7	15	1
141-250	9,7-17,3	21	1,5
251-300	17,3-20,7	24	1,7

- Grooved ends to AWWA C606 Standard.
- Installation by use of two Profit grooved mechanical couplings.
- **Anti-corrosion protection:**
 - Valve: high grade polyester powder coating, meets or exceed AWWA C550 standards.
 - Trim: galvanised accessories & brass products.



p.46 - DA
DRY ACCELERATOR
(WITH TRIM)



p.47 - APMD
AIR PRESSURE
MAINTENANCE DEVICE



p.51 - PRS
PRESSURE SWITCH

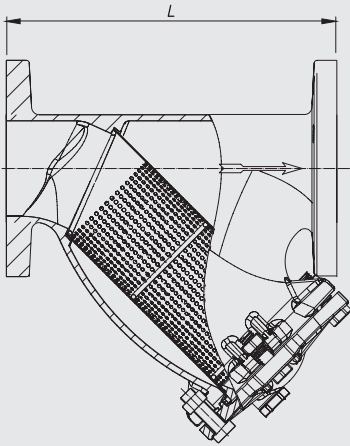


FLANGED Y-STRAINER • FYST



DATASHEET

Profit strainers can serve in piping systems that are sensitive for any debris in the medium. They filter out solid parts to protect other equipment such as valves from damage or bad functioning. Type FYST has flanged ends. The strainers are designed so that they can be cleaned without removing them from the piping system.



ONLY AVAILABLE IN CONTAINER DIRECTLY FROM FACTORY.

Reference	Dimensions		L mm
	Valve size		
	NPS (inch)	DN (mm)	
FYST2	2"	50	230
FYST2½	2½"	65	290
FYST3	3"	80	310
FYST4	4"	100	350
FYST5	5"	125	400
FYST6	6"	150	480
FYST8	8"	200	550



- Indoor & outdoor use.
- **UL listed:** sizes 2" (DN50) – 8" (DN200).
- Suitable for use in horizontal & vertical piping with the filter always facing direction downwards.
- **Working pressure:** maximum 1,60 MPa / 16,0 bar / 232 psi.
- Clearly marked with a flow-arrow on the body.
- **Anti-corrosion protection:** high grade polyester powder coating, meets or exceed AWWA C550 standards.

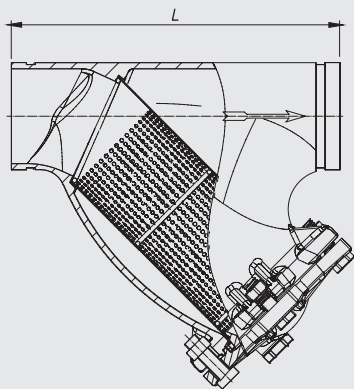


GROOVED Y-STRAINER • GYST



DATASHEET

Profit strainers can serve in piping systems that are sensitive for any debris in the medium. They filter out solid parts to protect other equipment such as valves from damage or bad functioning. Type GYST has grooved ends. The strainers are designed so that they can be cleaned without removing them from the piping system.



ONLY AVAILABLE IN CONTAINER DIRECTLY FROM FACTORY.



COVER WITH PLUG

Reference	Dimensions		L mm
	Valve size		
	NPS (inch)	DN (mm)	
GYST2	2"	50	230
GYST2½	2½"	65	290
GYST3	3"	80	310
GYST4	4"	100	350
GYST5	5"	125	400
GYST6	6"	150	480
GYST8	8"	200	550



- Indoor & outdoor use.
- **UL listed:** sizes 2" (DN50) – 8" (DN200).
- Suitable for use in horizontal & vertical piping with the filter always facing direction downwards.
- **Working pressure:** maximum 2,50 MPa / 25,5 bar / 362 psi.
- Clearly marked with a flow-arrow on the body.
- **Anti-corrosion protection:** high grade polyester powder coating, meets or exceed AWWA C550 standards.
- Installation by use of two Profit grooved mechanical couplings.

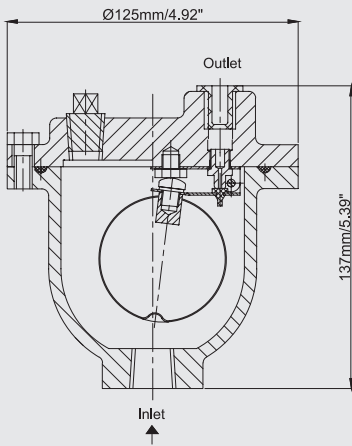


AIR RELEASE VALVE • ARV



DATASHEET

The Profit air release valve type ARV automatically vents air, which accumulates at high points in a system during operation. The valve will also exhaust and admit quantities (volumes) of air during filling or draining operations and after emergency conditions such as a power failure.



Dimensions			
Reference	Inlet size	Outlet size	Orifice size
ARV $\frac{1}{2}$ *	$\frac{1}{2}$ " NPT	$\frac{1}{2}$ " NPT	$\frac{1}{16}$ "
ARV $\frac{3}{4}$ *	$\frac{3}{4}$ " NPT	$\frac{1}{2}$ " NPT	$\frac{1}{16}$ "
ARV1	1" NPT	$\frac{1}{2}$ " NPT	$\frac{1}{16}$ "

* ONLY AVAILABLE IN CONTAINER DIRECTLY FROM FACTORY



- Indoor & outdoor use.
- **UL / FM approved:** for air release valve sizes $\frac{1}{2}$ " (DN15) – 1" (DN25).
- **Working pressure:** 2,07 MPa / 20,7 bar / 300 psi.
- NPT thread.
- Fusion bonded coating interior and exterior meet or exceed all applicable of AWWA C550 standard.
- The valve is a float operated, resilient seated valve designed to handle clean fluids.
- A small orifice releases air under pressure during normal pipeline operation.
- The float is connected to the vent via a linkage mechanism which is capable of operating the vent under full pipeline pressure.

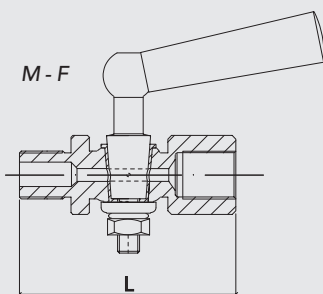
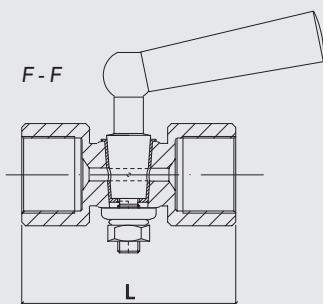


PRESSURE GAUGE VALVE • PGV

The Profit pressure gauge valve type PGV, is a plug valve that can be used to activate or isolate a pressure gauge or other instrument from a pressurised system. The valve can also be used to vent trapped pressure through the vent hole. This valve is used for maintaining or reading of instruments, not for throttling.



DATASHEET



Reference	Dimensions		L mm
	Thread		
	Connection	Size	
PGV14-FF*	female - female	1/4" BSP	51
PGV14-MF*	male - female	1/4" BSP	58,5
PGV38-FF*	female - female	3/8" BSP	58
PGV38-MF*	male - female	3/8" BSP	58,5
PGV12-FF*	female - female	1/2" BSP	59
PGV12-MF	male - female	1/2" BSP	60

* AVAILABLE ON REQUEST



- Indoor & outdoor use.
- Female - female or male - female connection possible.
- **Working pressure:** maximum nominal pressure: 2,50 MPa / 25,0 bar / 363 psi.
- **Axis:** antileak system.
- **Warning:** freezing of any fluid in the valve may severely damage the valve.
- Produced according to DIN 16261.



VALVE PARTS

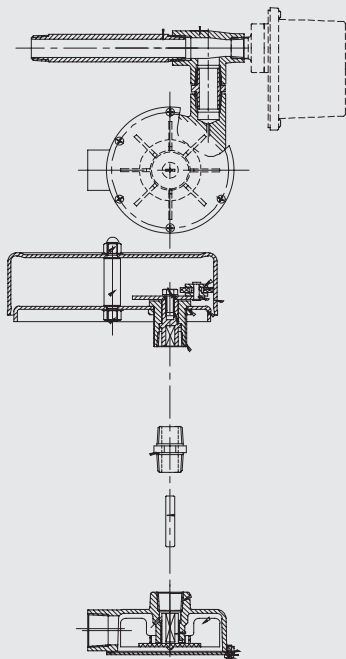


MOTOR GONG FOR ALARM VALVES • WMG



DATASHEET

Profit water motor gong type WMG is a hydraulically automated sound device actuated by water flow. The gong is intended to use on alarm check valves in fire protection sprinkler systems.



Reference

WMG



- Indoor & outdoor use.
- Self contained, line pressure operated.
- Quick response 90dB sound level.
- Wheaterproof anti-corrosion protected.
- **Connections:**
 - Inlet: ¾" NPT.
 - Outlet drain: 1" NPT.
- Suitable for wall thickness up to 284 mm.
- **Working pressure:** 0,05 to 2,07 MPa / 0,5 to 20,7 bar / 300 psi.

STEM EXTENSION FOR BALL VALVE • THB STEM

The Profit ball valve stem extensions type THB STEM are made to fit on Profit ball valves type THB-F range 1/2" to 2". These are designed and applied especially to allow for ball valve easy operation over insulation packages.



DATASHEET



Reference	Stem extension	Ball valve size
THB STEM SMALL	56,5	1/2"
THB STEM MEDIUM	62,5	3/4" - 1"
THB STEM LARGE	67,5	5/4" - 6/4" - 2"



- Indoor use.
- **Working temperature:** -40°C to +170°C.
- Easy mounting, even when the ball valve is in service.
- Hot forged brass.



MAINTENANCE SET FOR FLANGED CHECK VALVES • MS-FCV

This maintenance set type MS-FCV contains all necessary items needed to replace the clapper gasket and cover gasket of the Profit flanged check valves type FCV.



Reference
MS-FCV3
MS-FCV4
MS-FCV5
MS-FCV6
MS-FCV8
MS-FCV10
MS-FCV12



- This set consists of:
 - 1x EPDM rubber disc seat ring.
 - 1x NBR cover O-ring gasket.
 - 1x split pin.
 - 2x copper washers.



SPARE PART • THREADED CHECK VALVE ½" - BRASS • DCV

Spare part type DCV for the trimset of wet alarm check valves type FACV & GACV.



Reference

DCV-½



- Swing check valve, female thread.
- Hot forged brass body.
- Includes inspection cap.
- **Working pressure:** 1,60 MPa / 16,0 bar / 232 psi.
- **Threading:** female thread according to standard.



MAINTENANCE SET FOR WET ALARM CHECK VALVES • MS-WV

This maintenance set type MS-WV contains all necessary items needed to replace the clapper gasket and cover gasket of the Profit wet alarm valves type GACV & FACV.



Reference

MS-WV3

MS-WV4

MS-WV6

MS-WV8



- **This set consists of:**
 - 1x EPDM rubber disc seat ring.
 - 1x EPDM cover gasket.
 - 3x O-ring gaskets for trimset UNION coupling ½".
 - 1x SS304 bolt, spring washer and washer.



CHECK VALVE FOR ACCELERATORS • DCV-DA

Profit check valves type DCV-DA are disc check valves that allow air to flow in one direction. The valves are designed to be used in Profit accelerators.



DATASHEET



Reference
DCV-DA-1/8



- Compact and lightweight.
- **Working pressure:** 1,00 MPa / 10,0 bar / 145 psi.
- **Body:** aluminium alloy.
- **Seal:** NBR rubber.
- Resilient seating for perfect tightness, also at low differential pressure.
- Spring assisted disc for excellent dynamic behaviour.



DRY ACCELERATOR • DA

Profit accelerator type DA is designed for use with dry alarm check valves type DGACV & DFACV. It allows quick action response of the dry alarm check valve.



DATASHEET



Reference
DA
DA/TRIM



- Indoor use.
- **Working pressure:** 0,10 to 0,17 MPa / 1,0 to 1,7 bar / 15 to 24 psi.
- **Body:** bronze.
- **Diaphragm & seals:** EPDM.
- **Spring & bolts:** stainless steel.
- **Option:** accelerator supplied with all necessary parts to insert into the dry valve trimset, type DA/TRIM. Included: ball valves (2x), air pressure gauge and malleable fittings.



AIR PRESSURE MAINTENANCE DEVICE • APMD

Profit air pressure maintenance device type APMD is used for for regulating the system air pressure of dry alarm check valves type DGACV & DFACV.



DATASHEET



Reference

APMD



- Indoor use.
- **Working pressure:** 0,10 to 0,17 MPa / 1,0 to 1,7 bar / 15 to 24 psi.
- **Included:**
 - Air regulator with air pressure gauge.
 - Ball valve for slow fill.
 - Ball valve for rapid fill.
 - Check valve.
 - Restriction orifice.
 - Strainer.
 - Malleable fittings.



AUTOMATIC DRIP CHECK VALVE • ADCV

Profit brass check valves type ADCV are automatic drip check valves that allow water to flow in one direction. The valves are designed to be used in Profit dry valve trimsets.



DATASHEET



Reference

ADCV-1/2



- Indoor use.
- **Working pressure:** 2,07 MPa / 20,7 bar / 300 psi.
- **Threading:** male thread according to standard.
- To be mounted at the lowest point.
- Drip check closes upon an increase in flow velocity, it opens automatically at decrease of pressure.
- The manual release button can be activated to verify that there is no pressure in the pipe.



BRASS Y-STRAINER • DYST

Profit brass strainers type DYST can serve in piping systems that are sensitive for any debris in the medium. They filter out solid parts to protect other equipment such as alarm valves from damage or bad functioning. The strainers are designed to be cleaned without removing them from the piping system.



DATASHEET



Reference

DYST-1/2



- Indoor & outdoor use.
- Clearly marked with a flow-arrow on the body.
- **Threading:** female thread according to standard.
- **Working pressure:** maximum 2,07 MPa / 20,7 bar / 300 psi.



BRASS CHECK VALVE • DCV-DV

Profit brass check valves type DCV-DV are disc check valves that allow water to flow in one direction. The valves are designed to be used in Profit dry valve trimsets.



DATASHEET



Reference

DCV-DV-1/2



- Indoor use.
- Resilient seating for perfect tightness, also at low differential pressure.
- Spring assisted disc for excellent dynamic behaviour.
- **Working pressure:** 2,07 MPa / 20,7 bar / 300 psi.
- **Threading:** female thread according to standard.



MAINTENANCE SET FOR DRY ALARM CHECK VALVES • MS-DV

This maintenance set type MS-DV contains all necessary items needed to replace the clapper gasket and cover gasket of the Profit dry alarm check valves type DFACV & DGACV.



Reference
MS-DV3
MS-DV4
MS-DV6
MS-DV8



- This set consists of:
 - 1x EPDM cover gasket.
 - 1x EPDM clapper seal.
 - 1x stainless steel clapper seal-bolt with O-ring.



RUBBER DIAPHRAGM • DIAP-DV

The Profit diaphragm type DIAP-DV is a rubber diaphragm that is custom made to fit the Profit dry alarm check valves type DGACV and DFACV. It is an optional spare part intended for maintenance services.



Reference
DIAP-DV-3-4
DIAP-DV-6-8



- **Material:** nylon reinforced EPDM rubber.
- **Working pressure:** maximum 2,07 MPa / 20,7 bar / 300 psi.





SWITCHES

PRESSURE SWITCH • PRS

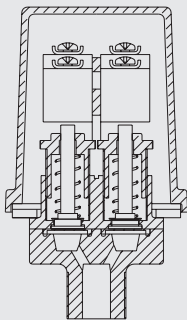
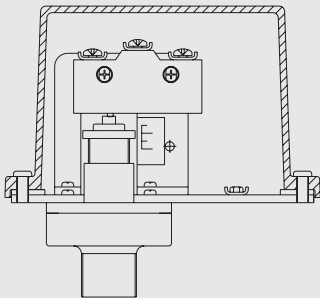


DATASHEET

Profit pressure switches type PRS are designed to detect pressure changes in dry or wet fire sprinkler systems.



PRS 10/2



Reference	Application range		Number of switches
	Pressure range		
	bar	psi	
PRS10/2	0,27 - 1,38	4 - 20	2
PRS40/1	0,68 - 6,80	10 - 100	1
PRS120/1	0,68 - 13,80	10 - 200	1



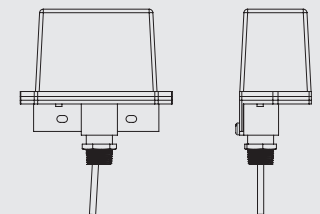
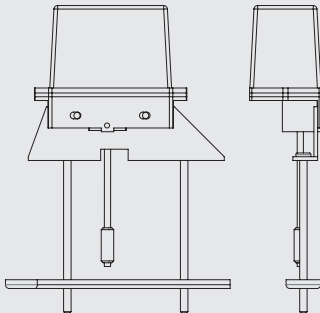
- Indoor & outdoor use.
- **Operating temperature range:** -40°C to +60°C.
- Fast and easy installation on trimsets.
- All parts have a corrosion resistant finish.
- Contains 2 alarm switches, conduit connection 1/2".
- **Protection class:** IP66.
- **Rating:**
 - 10 Amps at 125 / 250 V AC.
 - 2,5 Amps at 30 V DC.

SUPERVISORY SWITCH FOR OS&Y GATE VALVES • SWOSY



DATASHEET

Profit supervisory switches type SWOSY monitors the open position of OS&Y type gate valves.



Reference

SWOSY/2



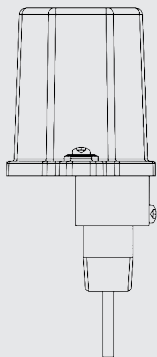
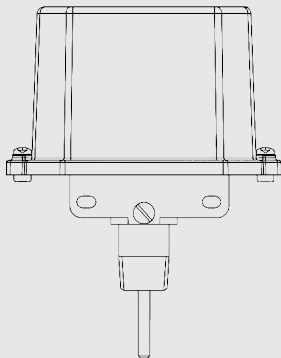
- Indoor & outdoor use.
- **Operating temperature range:** -40°C to +60°C.
- Fast and easy installation.
- Can fit on range 2" to 12" gate valves.
- Packing includes special tool to remove the cover.
- All parts have a corrosion resistant finish.
- **Protection class:** IP67.
- **Contacts:** 2 sets of SPDT.
- **Rating:**
 - 10 Amps at 125/250 V AC.
 - 2,0 Amps at 30 V DC.

SUPERVISORY SWITCH FOR INDICATOR POSTS • SWIP



DATASHEET

The supervisory switch for indicator posts type SWIP is used to monitor the open position of the vertical indicator post type VINPO or the wall indicator post type WINPO. The indicator posts can be installed easily on NRS gate valves type FNRSL / GNRSL in the range 2" up to 12".



Reference

SWIP/1



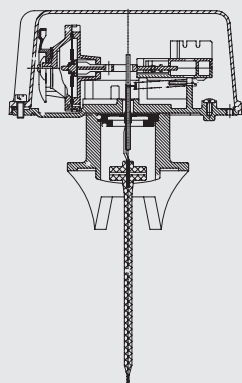
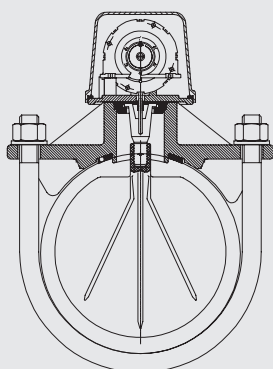
- Indoor & outdoor use.
- All parts have a corrosion resistant finish.
- Tamper resistant screws, special tool is furnished with each device.
- Two conduit entrances, one knockout and one hole for 1/2" cable gland provided.
- Adjustable length trip rod.
- Two position switch detects valve closure.
- Fine adjustment feature for fast, easy installation.
- Can fit on NRS gate valves in the range of 2" to 12".
- **Protection class:** IP67 (using the correct cable gland, which is included).
- **Working temperature:** -40°C to +60°C.
- **1 set of polycarbonate switches SPDT with the following ratings:**
 - 10 Amps at 125/250 V AC.
 - 2,5 Amps at 30 V DC resistive.

WATERFLOW SWITCH • U-BOLT • WFS



DATASHEET

Profit waterflow switches, type WFS, are used for the detection of a water flow in fire sprinkler piping systems. The installation is similar to a mechanical sprinkler tee with U-bolt clamp.



Dimensions

Reference	Size
WFS2	DN50
WFS2½	DN65
WFS3	DN80
WFS4	DN100
WFS5	DN125
WFS6	DN150
WFS8	DN200



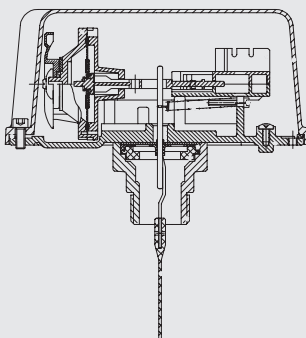
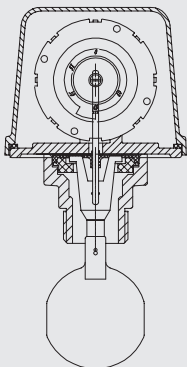
- Indoor & outdoor use.
- All parts have a corrosion resistant finish.
- Only suitable for wet systems on pipes sched 10 to sched 40.
- Easy retard mechanical adjustable time delay.
- Contains two synchronised switches (SPDT contacts model).
- Tamper resistant cover screws (tool included).
- **Protection class:** IP55.
- **Working temperature:** 0°C to +49°C.
- **Working pressure:**
 - UL / FM: 3,10 MPa / 31,0 bar / 450 psi.
 - CE: 1,60 MPa / 16,0 bar / 232 psi.
- **Flow sensitivity:**
 - UL / FM: 15 - 37 l/min (4-10GPM).
 - CE: 30 - 54 l/min.
- **Contact ratings:** 8A at 125/250 V AC; 3A at 24 V DC; 2,5A at 30 V DC.
- **Maximum flowrate:** 5,5 m / sec.

WATERFLOW SWITCH • THREADED • WFST



DATASHEET

Profit waterflow switches type WFST are used for the detection of a water flow in fire sprinkler piping systems. The installation is with a threaded male connector into a classic threaded malleable tee.



Reference

WFST



- Suitable for 1", 1¼", 1½" and 2".
- Indoor & outdoor use.
- All parts have a corrosion resistant finish.
- Only suitable for wet systems on classic threaded tees.
- Easy retard mechanical adjustable time delay.
- Contains two synchronised switches (SPDT contacts model).
- Tamper resistant cover screws (tool included).
- **Protection class:** IP55.
- **Working temperature:** 0°C to +49°C.
- **Working pressure:**
 - UL / FM: 3,10 MPa / 31,0 bar / 450 psi.
 - CE: 1,60 MPa / 16,0 bar / 232 psi.
- **Flow sensitivity:**
 - UL / FM: 15 - 37 l/min (4-10GPM).
 - CE: 30 - 54 l/min.
- **Contact ratings:** 8A at 125/250 V AC; 3A at 24 V DC; 2,5A at 30 V DC.
- **Maximum flowrate:** 5,5 m / sec.

PROFLEX



FLEXIBLE HOSE • UNBRAIDED • PFUH



DATASHEET

The Proflex flexible sprinkler connections type PFUH provide a simple and fast solution for use in automatic sprinkler systems. The fastest solution to connect your sprinklers heads.



SET COMPONENTS

	1	Flexible sprinkler hose	
	2	EPDM gaskets	(x2)
	3	Nipple 1"	
	4	Sprinkler reducer NPT outlet	110 mm NPT 1/2" or 3/4"
	5	Center bracket	
	6	Short bar side clamps	(x2)
	7	Bar 700 mm	

SETS	
Reference	Components
PFUH700M34BSPT12SET	Proflex 700 mm unbraided hose with Proflex standard reducer NPT M34 size 1/2"
PFUH700M34BSPT34SET*	Proflex 700 mm unbraided hose with Proflex standard reducer NPT M34 size 3/4"
PFUH1000M34BSPT12SET	Proflex 1000 mm unbraided hose with Proflex standard reducer NPT M34 size 1/2"
PFUH1000M34BSPT34SET*	Proflex 1000 mm unbraided hose with Proflex standard reducer NPT M34 size 3/4"
PFUH1200M34BSPT12SET	Proflex 1200 mm unbraided hose with Proflex standard reducer NPT M34 size 1/2"
PFUH1200M34BSPT34SET*	Proflex 1200 mm unbraided hose with Proflex standard reducer NPT M34 size 3/4"
PFUH1500M34BSPT12SET	Proflex 1500 mm unbraided hose with Proflex standard reducer NPT M34 size 1/2"
PFUH1500M34BSPT34SET*	Proflex 1500 mm unbraided hose with Proflex standard reducer NPT M34 size 3/4"
PFUH1800M34BSPT12SET	Proflex 1800 mm unbraided hose with Proflex standard reducer NPT M34 size 1/2"
PFUH1800M34BSPT34SET*	Proflex 1800 mm unbraided hose with Proflex standard reducer NPT M34 size 3/4"

* ONLY AVAILABLE IN CONTAINER DIRECTLY FROM FACTORY

1 SET INCLUDES:

- 1x flexible hose: stainless steel AISI 304, 1.4301.
Outer braid: stainless steel AISI 304, 1.4301.
- 2x gaskets: EPDM.
- 1x inlet nipple: plated carbon steel.
- 1x outlet reducer: plated carbon steel.
- 1x center bracket: plated carbon steel.
- 2x short side clamp: plated carbon steel.
- 1x 700mm bar: plated carbon steel, square tube.

FLEXIBLE HOSE • BRAIDED • PFBH



DATASHEET

The Proflex flexible sprinkler connections type PFBH provide a simple and fast solution for use in automatic sprinkler systems. The fastest solution to connect your sprinklers heads.

SET COMPONENTS

	1	Flexible sprinkler hose	
	2	EPDM gaskets	(x2)
	3	Nipple 1"	
	4	Sprinkler reducer NPT outlet	110 mm NPT 1/2" or 3/4"
	5	Center bracket	
	6	Short bar side clamps	(x2)
	7	Bar 700 mm	

SETS	
Reference	Components
PFBH700M34BSPT12SET	Proflex 700 mm braided hose with Proflex standard reducer NPT M34 size 1/2"
PFBH700M34BSPT34SET*	Proflex 700 mm braided hose with Proflex standard reducer NPT M34 size 3/4"
PFBH1000M34BSPT12SET	Proflex 1000 mm braided hose with Proflex standard reducer NPT M34 size 1/2"
PFBH1000M34BSPT34SET*	Proflex 1000 mm braided hose with Proflex standard reducer NPT M34 size 3/4"
PFBH1200M34BSPT12SET	Proflex 1200 mm braided with Proflex standard reducer NPT M34 size 1/2"
PFBH1200M34BSPT34SET*	Proflex 1200 mm braided with Proflex standard reducer NPT M34 size 3/4"
PFBH1500M34BSPT12SET	Proflex 1500 mm braided with Proflex standard reducer NPT M34 size 1/2"
PFBH1500M34BSPT34SET*	Proflex 1500 mm braided with Proflex standard reducer NPT M34 size 3/4"
PFBH1800M34BSPT12SET	Proflex 1800 mm braided with Proflex standard reducer NPT M34 size 1/2"
PFBH1800M34BSPT34SET*	Proflex 1800 mm braided with Proflex standard reducer NPT M34 size 3/4"

* ONLY AVAILABLE IN CONTAINER DIRECTLY FROM FACTORY

1 SET INCLUDES:

- 1x flexible hose: stainless steel AISI 304, 1.4301.
Outer braid: stainless steel AISI 304, 1.4301.
- 2x gaskets: EPDM.
- 1x inlet nipple: plated carbon steel.
- 1x outlet reducer: plated carbon steel.
- 1x center bracket: plated carbon steel.
- 2x short side clamp: plated carbon steel.
- 1x 700mm bar: plated carbon steel, square tube.



FLEXIBLE HOSE • PARTS



DATASHEET

The Proflex flexible sprinkler connections provide a simple and fast solution for use in automatic sprinkler systems.



BAR • 700MM

Reference	Description
PF700BP	Proflex bar 700 mm



Used to suspend the different kinds of Proflex reducers in various kinds of ceilings.



STANDARD NIPPLE

Reference	Description
PF-NPL-STM34BSPTP	Proflex standard nipple



Inlet connector to connect the Proflex flexible hose with the pipe system.

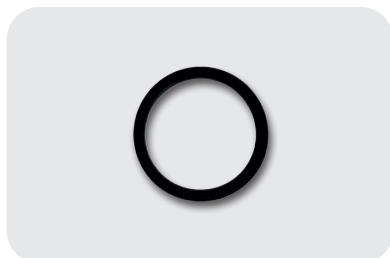


CENTER BRACKET

Reference	Description
PF-STBP	Proflex standard bracket



Used in standard suspended ceilings, to clamp the reducer.



EPDM GASKET

Reference	Description
GASKETM34	Proflex EPDM gasket M34



Designed to guarantee a perfect tight sealing between the Proflex flexible hose to outlet reducer and inlet nipple.



WOODBREAM BRACKET

Reference	Description
PF-SBWB	Proflex woodbeam bracket



For application on wooden surfaces.

FLEXIBLE HOSE • PARTS



DATASHEET

The Proflex flexible sprinkler connections provide a simple and fast solution for use in automatic sprinkler systems.



SHORT SIDE CLAMP • 62MM

Reference	Description
PF-STC-SP	Proflex short side clamp 62 mm



Suitable for pendent sprinklers.



LONG SIDE CLAMP • 105MM

Reference	Description
PF-STC-LP	Proflex long side clamp 105 mm



Suitable for concealed sprinklers.



METAL STUD SIDE BRACKET • 38MM

Reference	Description
PF-Metal Stud 38mm	Proflex metal stud side bracket 38mm



Suitable for pendent sprinklers.



METAL STUD SIDE BRACKET • 53MM

Reference	Description
PF-Metal Stud 53mm	Proflex metal stud side bracket 53mm



Suitable for concealed sprinklers.



ELBOW BRACKET REDUCER

Reference	Description
PF-EBR	Proflex elbow bracket reducer



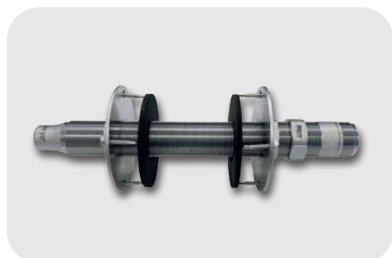
Used in suspended ceilings with very small available space or in applications where the standard suspended ceiling grid is missing.

FLEXIBLE HOSE • PARTS



DATASHEET

The Proflex flexible sprinkler connections provide a simple and fast solution for use in automatic sprinkler systems.



PANEL FIT REDUCER

Reference	Description
PF-PFR	Proflex panel fit reducer set NPT 1/2"
PF-PFR-3/4	Proflex panel fit reducer set NPT 3/4"



Designed for an easy installation of sprinkler hoses in sandwich panels.



STANDARD REDUCER

Reference	Description
PF-STR-NPT-1/2M34P	Proflex standard reducer 110 mm M34 NPT 1/2"
PF-STR-NPT-3/4M34P	Proflex standard reducer 110 mm M34 NPT 3/4"
PF-STR-NPT-1/2M34P155	Proflex standard reducer 155 mm M34 NPT 1/2"
PF-STR-NPT-3/4M34P155	Proflex standard reducer 155 mm M34 NPT 3/4"



With this option it's possible to change the length and size of the Proflex outlet.



ELBOW REDUCER

Reference	Description
PF-ELR-110-1/2	Proflex elbow reducer 110 mm M34 NPT 1/2"
PF-ELR-110-3/4	Proflex elbow reducer 110 mm M34 NPT 3/4"
PF-ELR-155-1/2	Proflex elbow reducer 155 mm M34 NPT 1/2"
PF-ELR-155-3/4	Proflex elbow reducer 155 mm M34 NPT 3/4"



Elbow reducers are being used in low profile installations (limited space between ceiling and sprinkler tubes).

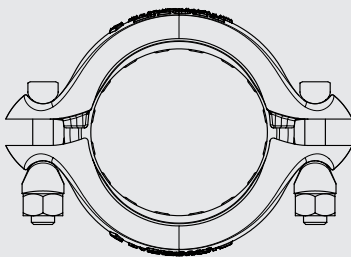


**GROOVED
COUPLINGS
& FITTINGS**

FITPRO® FAST RIGID COUPLING



Fitpro® is a coupling designed to make fast rigid connections in both dry and wet sprinkler piping systems. It is used with grooved piping only and it is ready for installation.



Reference		Nominal size		Pipe Ø O.D.
Red	Galva	NPS inch	DN mm	mm
FitproR1¼	FitproG1¼	1¼	32	42,4
FitproR1½	FitproG1½	1½	40	48,3
FitproR2	FitproG2	2	50	60,3
FitproR2½	FitproG2½	2½	65	76,1
FitproR3	FitproG3	3	80	88,9
FitproR4	FitproG4	4	100	114,3

MATERIAL

- **Housing:** ductile iron conform to ASTM A536 GR 65-45-12.
- **Coating:**
 - Hot dip galvanised.
 - Red paint coating RAL 3000, EPD epoxy coating.
 - Any other colour on request.
- **Self-lubricating gasket:** EPDM.
- **Heavy hex nuts:** carbon steel grade 9, zinc electroplated conform to ISO 898-1.
- **T-bolts:** carbon steel grade 9.8 conform to ISO 898-2, zinc electroplated conform to ISO 898-1.
- **R-spacer:** carbon steel, zinc electroplated conform to ISO 898-1.
- **Working pressure:** 2,07 MPa / 20,7 bar / 300 psi.



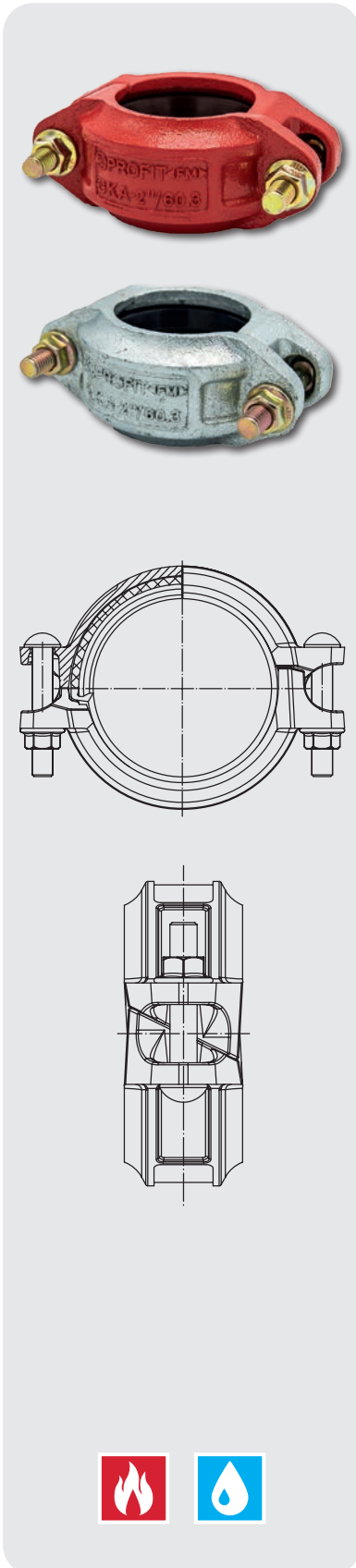
The fastest European coupling on the market, patented design.

ANGLE-PAD RIGID COUPLING • GKA



DATASHEET

Angle-pad couplings type GKA provide a full rigid connection of grooved pipes and/or grooved fittings. The coupling has been designed to achieve angular and axial stiffness by firmly clamping in the groove base. Small internal dents give an anti-torsional resistance and the angled bolt-pads guarantee rigidity under all pipe and groove conditions.



Reference		Nominal size		Pipe Ø O.D.
Red	Galva	NPS inch	DN mm	mm
GKAR1	GKAG1	1	25	33,7
GKAR1¼	GKAG1¼	1¼	32	42,4
GKAR1½	GKAG1½	1½	40	48,3
GKAR2	GKAG2	2	50	60,3
GKAR2½	GKAG2½	2½	65	76,1
GKAR3	GKAG3	3	80	88,9
GKAR4	GKAG4	4	100	114,3
GKAR5	GKAG5	5	125	139,7
GKAR6	GKAG6	6	150	168,3
GKAR8	GKAG8	8	200	219,1
GKAR10	GKAG10	10	250	273,0
GKAR12	GKAG12	12	300	323,9
GKAR14*	GKAG14*	14	350	356,0
GKAR16*	GKAG16*	16	400	406,4

* ONLY AVAILABLE IN CONTAINER DIRECTLY FROM FACTORY

The following sizes are also available on request, in container: 73mm / 141,3mm / 165,1mm.

MATERIAL

- **Housing:** ductile iron conform to ASTM A536 GR 65-45-12 (EN-GJS-450-10).
- **Coating:**
 - Hot dip galvanised.
 - Red paint coating RAL 3000, EPD epoxy coating.
 - Any other colour on request.
- **Gasket:** EPDM; optional: NBR.
- **Bolts & nuts:** carbon steel grade 8.8, zinc electroplated.
- **Working pressure:** 2,07 MPa / 20,7 bar / 300 psi.



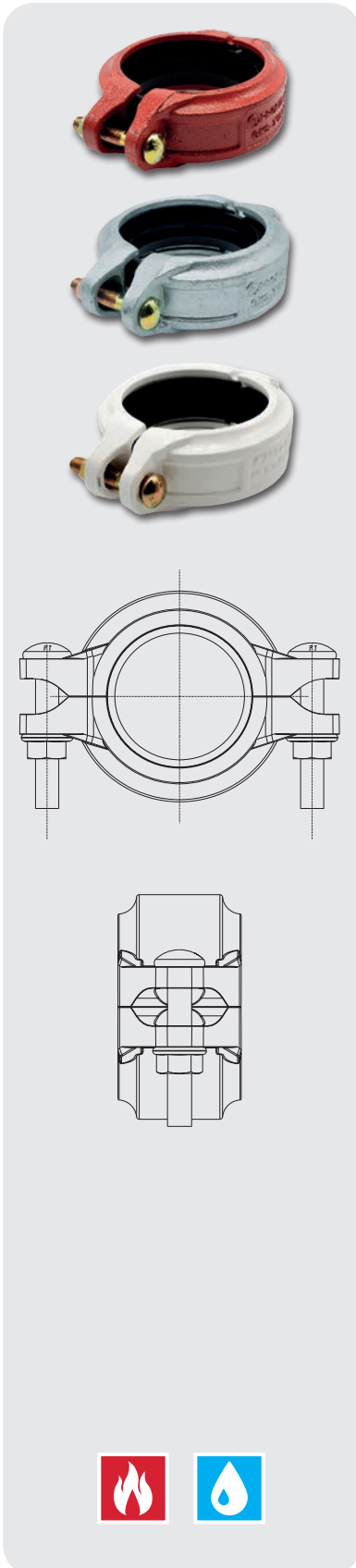
Ultimate rigidity, minimum axial tolerance.

RIGID COUPLING • GKS



DATASHEET

Rigid couplings type GKS provide a rigid connection of grooved pipes and / or grooved fittings. The coupling has been designed to achieve angular and axial stiffness by firmly clamping in the groove base. Small internal dents give an anti-torsional resistance and the standard spigot and socket design assures an easy installation and full gasket protection.



Reference			Nominal size		Pipe Ø O.D.
Red	Galva	White	NPS inch	DN mm	mm
GKSR1	GKSG1	GKSW1	1	25	33,7
GKSR1¼	GKSG1¼	GKSW1¼	1¼	32	42,4
GKSR1½	GKSG1½	GKSW1½	1½	40	48,3
GKSR2	GKSG2	GKSW2	2	50	60,3
GKSR2½	GKSG2½	GKSW2½	2½	65	76,1
GKSR3	GKSG3	GKSW3	3	80	88,9
GKSR4	GKSG4	GKSW4	4	100	114,3
GKSR5	GKSG5	GKSW5	5	125	139,7
GKSR6	GKSG6	GKSW6	6	150	168,3
GKSR8	GKSG8	GKSW8	8	200	219,1
GKSR10	GKSG10	GKSW10	10	250	273,0
GKSR12	GKSG12	GKSW12*	12	300	323,9

* ONLY AVAILABLE IN CONTAINER DIRECTLY FROM FACTORY

The following sizes are also available on request, in container:
73mm / 141,3mm / 165,1mm / 216mm / 318mm.

MATERIAL

- **Housing:** ductile iron conform to ASTM A536 GR 65-45-12 (EN-GJS-450-10).
- **Coating:**
 - Hot dip galvanised.
 - Red paint coating RAL 3000, EPD epoxy coating.
 - White powder coating RAL 9010.
 - Any other colour on request.
- **Gasket:** EPDM; optional: NBR.
- **Bolts & nuts:** carbon steel grade 8.8, zinc electroplated.
- **Working pressure:** 2,07 MPa / 20,7 bar / 300 psi.



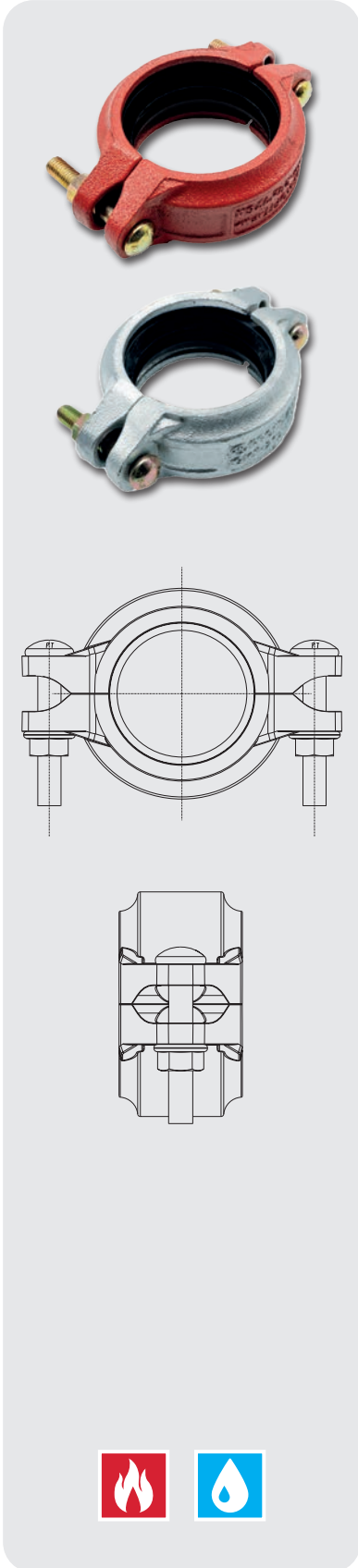
Economic solution.

FLEXIBLE COUPLING • GKF



DATASHEET

Flexible couplings type GKF are designed to allow axial displacement, rotation and some angular movement. The coupling can accommodate angular misalignments up to a few degrees. It can also accommodate parallel misalignment and / or thermal deformation when using two couplings with an intermediate pipe.



Reference		Nominal size		Pipe Ø O.D.
Red	Galva	NPS inch	DN mm	mm
GKFR1	GKFG1	1	25	33,7
GKFR1¼	GKFG1¼	1¼	32	42,4
GKFR1½	GKFG1½	1½	40	48,3
GKFR2	GKFG2	2	50	60,3
GKFR2½	GKFG2½	2½	65	76,1
GKFR3	GKFG3	3	80	88,9
GKFR4	GKFG4	4	100	114,3
GKFR5	GKFG5	5	125	139,7
GKFR6	GKFG6	6	150	168,3
GKFR8	GKFG8	8	200	219,1
GKFR10	GKFG10	10	250	273,0
GKFR12	GKFG12	12	300	323,9
GKFR14*	GKFG14*	14	350	355,6
GKFR16*	GKFG16*	16	400	406,4
GKFR18*	GKFG18*	18	450	457,0
GKFR20*	GKFG20*	20	500	508,0
GKFR22*	GKFG22*	22	550	558,8
GKFR24*	GKFG24*	24	600	609,6

* ONLY AVAILABLE IN CONTAINER DIRECTLY FROM FACTORY

The following sizes are also available on request, in container:
73mm / 141,3mm / 165,1mm / 216mm / 267mm / 318mm / 480mm.

MATERIAL

- **Housing:** ductile iron conform to ASTM A536 GR 65-45-12 (EN-GJS-450-10).
- **Coating:**
 - Hot dip galvanised.
 - Red paint coating RAL 3000, EPD epoxy coating.
 - Any other colour on request.
- **Gasket:** EPDM; optional: NBR.
- **Bolts & nuts:** carbon steel grade 8.8, zinc electroplated.
- **Working pressure:** 2,07 MPa / 20,7 bar / 300 psi.



Absorb misalignments, compensate movements.

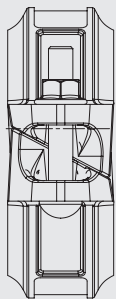
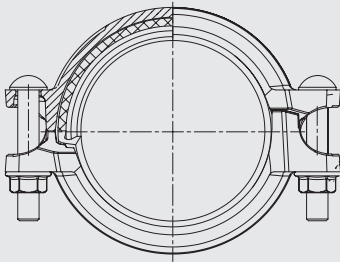


HEAVY RIGID COUPLING ANGLE-PAD • GKSH



DATASHEET

Angle-pad couplings type GKSH provide a full rigid connection of grooved pipes and/or grooved fittings. The coupling has been designed to achieve angular and axial stiffness by firmly clamping in the groove base. Small internal dents give an anti-torsional resistance and the angled bolt-pads guarantee rigidity under all pipe and groove conditions.



ONLY AVAILABLE IN CONTAINER DIRECTLY FROM FACTORY.

Reference		Nominal size		Pipe Ø O.D.
Red	Galva	NPS inch	DN mm	mm
GKSHR2	GKSHG2	2	50	60,3
GKSHR2½	GKSHG2½	2½	65	76,1
GKSHR3	GKSHG3	3	80	88,9
GKSHR4	GKSHG4	4	100	114,3
GKSHR5	GKSHG5	5	125	139,7
GKSHR6	GKSHG6	6	150	168,3
GKSHR8	GKSHG8	8	200	219,1

The following sizes are also available on request, in container directly from factory:
73mm / 141,3mm / 165,1mm.

MATERIAL

- **Housing:** ductile iron conform to ASTM A536 GR 65-45-12.
- **Coating:**
 - Hot dip galvanised.
 - Red paint coating RAL 3000, EPD epoxy coating.
 - Any other colour on request.
- **Gasket:** EPDM; optional: NBR.
- **Bolts & nuts:** carbon steel grade 8.8, zinc electroplated.
- **Working pressure:**
 - VdS: 1,60 MPa / 16,0 bar / 232 psi.
 - LPCB: 2,07 MPa / 20,7 bar / 300 psi.
 - UL: 3,10 MPa / 31,0 bar / 450 psi.



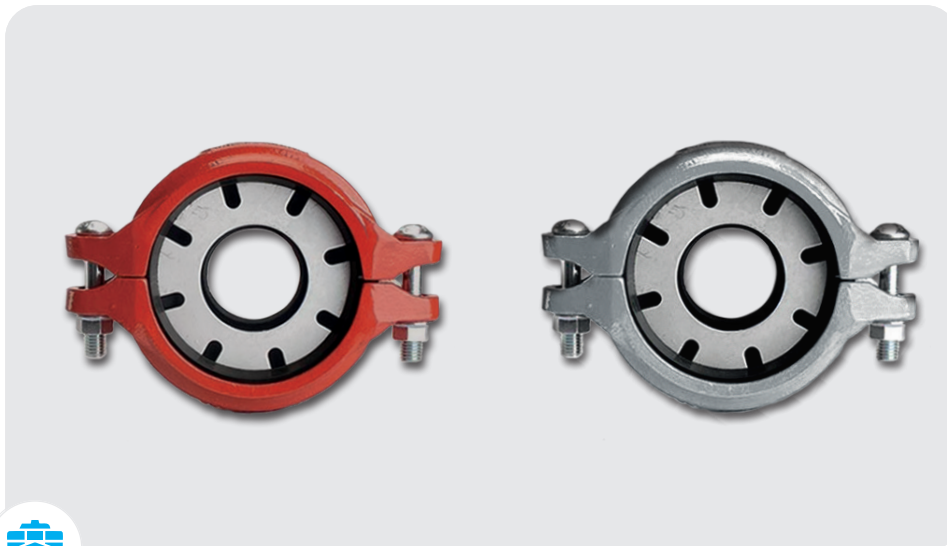
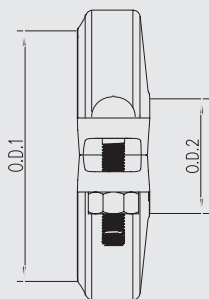
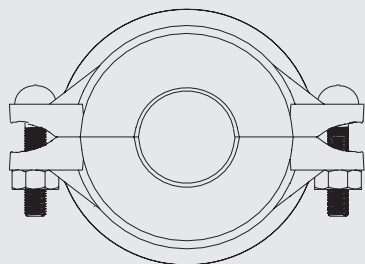
Heavy coupling, suitable for higher working pressure (up to 3,50 MPa / 35,0 bar / 500 psi).

REDUCING COUPLING WITH STEEL RING • GRKF



DATASHEET

This coupling type GRKF is a flexible coupling that allows for direct size reduction on a piping run and eliminates the need for a concentric reducer + couplings. The gasket has special design that allows both for horizontal and vertical installation.



ONLY AVAILABLE IN CONTAINER DIRECTLY FROM FACTORY.

Reference		Nominal size		Pipe Ø O.D. 1 - 2
Red	Galva	NPS inch	DN mm	mm
GRKFR1½-1¼	GRKFG1½-1¼	1½ - 1¼	40-32	48,3 - 42,4
GRKFR2-1½	GRKFG2-1½	2 - 1½	50-40	60,3 - 48,3
GRKFR2½-1¼	GRKFG2½-1¼	2½ - 1¼	65-32	76,1 - 42,4
GRKFR2½-1½	GRKFG2½-1½	2½ - 1½	65-40	76,1 - 48,3
GRKFR2½-2	GRKFG2½-2	2½ - 2	65-50	76,1 - 60,3
GRKFR3-1	GRKFG3-1	3 - 1	80-25	89,9 - 33,7
GRKFR3-1¼	GRKFG3-1¼	3 - 1¼	80-32	88,9 - 42,4
GRKFR3-1½	GRKFG3-1½	3 - 1½	80-40	88,9 - 48,3
GRKFR3-2	GRKFG3-2	3 - 2	80-50	88,9 - 60,3
GRKFR3-2½	GRKFG3-2½	3 - 2½	80-65	88,9 - 76,1
GRKFR4-2	GRKFG4-2	4 - 2	100-50	114,3 - 60,3
GRKFR4-2½	GRKFG4-2½	4 - 2½	100-65	114,3 - 76,1
GRKFR4-3	GRKFG4-3	4 - 3	100-80	114,3 - 88,9
GRKFR6-3	GRKFG6-3	6 - 3	150-80	168,3 - 88,9
GRKFR6-4	GRKFG6-4	6 - 4	150-100	168,3 - 114,3
GRKFR8-4	GRKFG8-4	8 - 4	200-100	219,1 - 114,3
GRKFR8-6	GRKFG8-6	8 - 6	200-150	219,1 - 168,3

The following sizes are also available on request, in container directly from factory:
73mm / 141,3mm / 165,1mm.

MATERIAL

- **Housing:** ductile iron conform to ASTM A536 GR 65-45-12.
- **Coating:**
 - Hot dip galvanised.
 - Red paint coating RAL 3000, EPD epoxy coating.
 - Any other colour on request.
- **Gasket:** EPDM; optional: NBR.
- **Bolts & nuts:** carbon steel grade 8.8, zinc electroplated.
- **Working pressure:** 2,07 MPa / 20,7 bar / 300 psi.



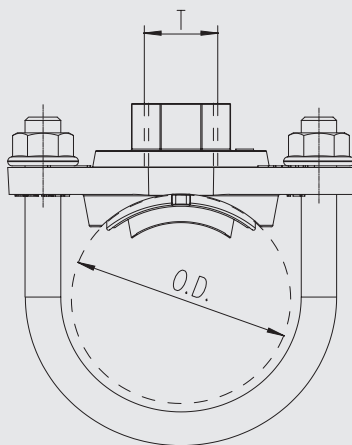
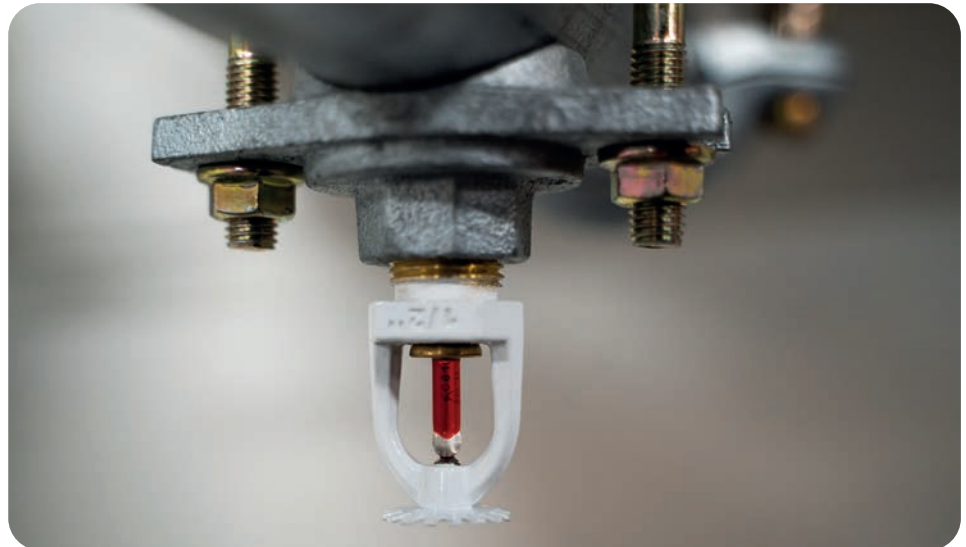
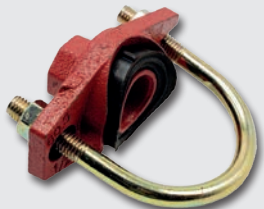
Space saving solution, reducing one fitting and one coupling.

U-BOLT SPRINKLER TEE • GST



DATASHEET

Sprinkler tees type GST are designed for direct connection of sprinkler heads. **With threaded BSPT outlet.**



Reference		Nominal size Run - reducing outlet		Pipe Ø O.D. - T
Red	Galva	NPS inch	DN mm	mm - inch
GSTR1-1/2	GST1-1/2	1-1/2	25-15	33,7 - 1/2
GSTR1-3/4*	GST1-3/4*	1-3/4	25-20	33,7 - 3/4
GSTR11/4-1/2	GST11/4-1/2	11/4-1/2	32-15	42,4 - 1/2
GSTR11/4-3/4	GST11/4-3/4	11/4-3/4	32-20	42,4 - 3/4
GSTR11/4-1	GST11/4-1	11/4-1	32-25	42,4 - 1
GSTR11/2-1/2	GST11/2-1/2	11/2-1/2	40-15	48,3 - 1/2
GSTR11/2-3/4	GST11/2-3/4	11/2-3/4	40-20	48,3 - 3/4
GSTR11/2-1	GST11/2-1	11/2-1	40-25	48,3 - 1
GSTR2-1/2	GST2-1/2	2-1/2	50-15	60,3 - 1/2
GSTR2-3/4	GST2-3/4	2-3/4	50-20	60,3 - 3/4
GSTR2-1	GST2-1	2-1	50-25	60,3 - 1
GSTR21/2-1/2*	GST21/2-1/2*	21/2-1/2	65-15	76,1 - 1/2
GSTR21/2-3/4*	GST21/2-3/4*	21/2-3/4	65-20	76,1 - 3/4
GSTR21/2-1*	GST21/2-1*	21/2-1	65-25	76,1 - 1
GSTR3-1*	GST3-1*	3-1	80-25	88,9 - 1

* ONLY AVAILABLE IN CONTAINER DIRECTLY FROM FACTORY

The following sizes are also available on request, in container: 73mm.

MATERIAL

- **Housing:** ductile iron conform to ASTM A536 GR 65-45-12.
- **Coating:**
 - Hot dip galvanised.
 - Red paint coating RAL 3000, EPD epoxy coating.
 - Any other colour on request.
- **Gasket:** EPDM.
- **Bolts & nuts:** carbon steel grade 8.8, zinc electroplated.
- **Working pressure:** 2,07 MPa / 20,7 bar / 300 psi.



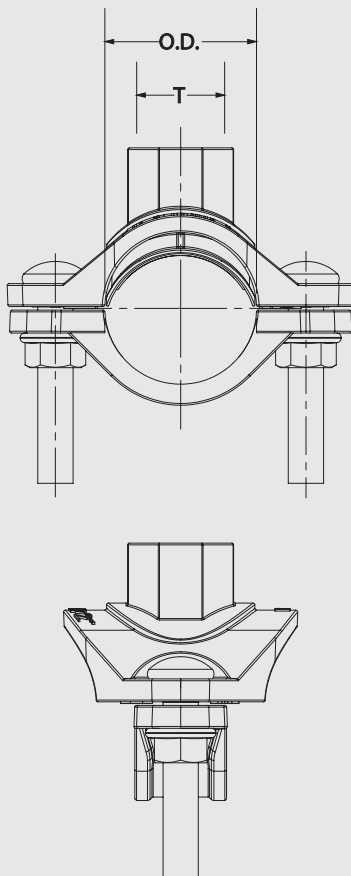
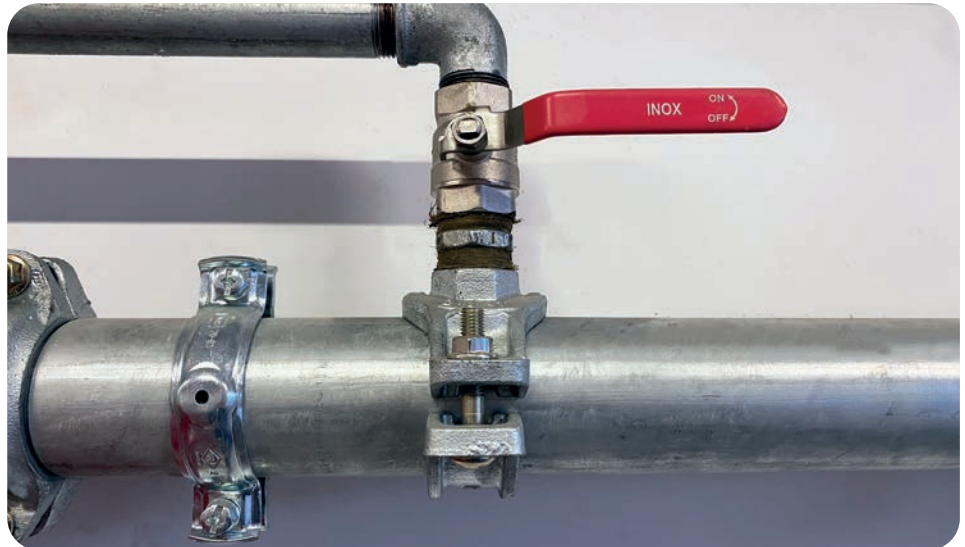
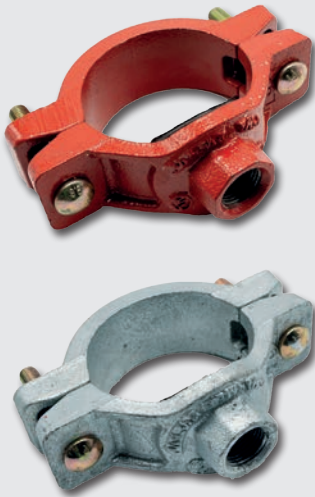
Economic sprinkler tee design, easy assembly.

FULL CASTING SPRINKLER TEE • GSTFC



DATASHEET

Sprinkler tees type GSTFC are designed for direct connections of sprinkler heads. Thanks to the pipe-shaped casting collar and outlet shape, this design is easy to install. **With threaded BSPT outlet.**



Reference		Nominal size Run - reducing size		Pipe Ø O.D. - T
Red	Galva	NPS inch	DN mm	mm - inch
GSTFCR1-1/2*	GSTFCG1-1/2*	1-1/2	25-15	33,7 - 1/2
GSTFCR1 1/4-1/2	GSTFCG1 1/4-1/2	1 1/4-1/2	32-15	42,4 - 1/2
GSTFCR1 1/4-3/4	GSTFCG1 1/4-3/4	1 1/4-3/4	32-20	42,4 - 3/4
GSTFCR1 1/4-1	GSTFCG1 1/4-1	1 1/4-1	32-25	42,4 - 1
GSTFCR1 1/2-1/2	GSTFCG1 1/2-1/2	1 1/2-1/2	40-15	48,3 - 1/2
GSTFCR1 1/2-3/4	GSTFCG1 1/2-3/4	1 1/2-3/4	40-20	48,3 - 3/4
GSTFCR1 1/2-1	GSTFCG1 1/2-1	1 1/2-1	40-25	48,3 - 1
GSTFCR2-1/2	GSTFCG2-1/2	2-1/2	50-15	60,3 - 1/2
GSTFCR2-3/4	GSTFCG2-3/4	2-3/4	50-20	60,3 - 3/4
GSTFCR2-1	GSTFCG2-1	2-1	50-25	60,3 - 1
GSTFCR2 1/2-1/2	GSTFCG2 1/2-1/2	2 1/2-1/2	65-15	76,1 - 1/2
GSTFCR2 1/2-3/4	GSTFCG2 1/2-3/4	2 1/2-3/4	65-20	76,1 - 3/4
GSTFCR2 1/2-1	GSTFCG2 1/2-1	2 1/2-1	65-25	76,1 - 1

* ONLY AVAILABLE IN CONTAINER DIRECTLY FROM FACTORY

The following sizes are also available on request, in container: 73mm.

MATERIAL

- **Housing:** ductile iron conform to ASTM A536 GR 65-45-12.
- **Coating:**
 - Hot dip galvanised.
 - Red paint coating RAL 3000, EPD epoxy coating.
 - Any other colour on request.
- **Gasket:** EPDM.
- **Bolts & nuts:** carbon steel grade 8.8, zinc electroplated.
- **Working pressure:** 2,07 MPa / 20,7 bar / 300 psi.



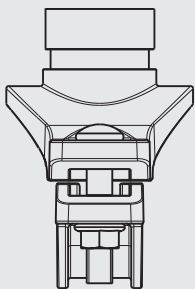
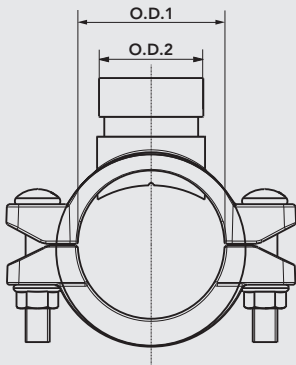
Solid sprinkler tee design.

MECHANICAL TEE • GMG



DATASHEET

Mechanical teestype GMG with grooved outlet can be used for any tee connection where a grooved outlet is needed. They may be converted into a cross when necessary.



Reference		Nominal size Run - reducing outlet		Pipe Ø O.D. - T
Red	Galva	NPS inch	DN mm	O.D.1 - O.D.2 mm
GMGR2-1	GMGR2-1	2 - 1	50-25	60,3 - 33,7
GMGR2-1¼	GMGG2-1¼	2 - 1¼	50-32	60,3 - 42,4
GMGR2-1½	GMGG2-1½	2 - 1½	50-40	60,3 - 48,3
GMGR2½-1	GMGG2½-1	2½ - 1	65-25	76,1 - 33,7
GMGR2½-1¼	GMGG2½-1¼	2½ - 1¼	65-32	76,1 - 42,4
GMGR2½-1½	GMGG2½-1½	2½ - 1½	65-40	76,1 - 48,3
GMGR2½-2	GMGG2½-2	2½ - 2	65-50	76,1 - 60,3
GMGR3-1	GMGG3-1	3 - 1	80-25	88,9 - 33,7
GMGR3-1¼	GMGG3-1¼	3 - 1¼	80-32	88,9 - 42,4
GMGR3-1½	GMGG3-1½	3 - 1½	80-40	88,9 - 48,3
GMGR3-2	GMGG3-2	3 - 2	80-50	88,9 - 60,3
GMGR4-1	GMGR4-1	4 - 1	100-25	114,3 - 33,7
GMGR4-1¼	GMGG4-¼	4 - 1¼	100-32	114,3 - 42,4
GMGR4-1½	GMGG4-1½	4 - 1½	100-40	114,3 - 48,3
GMGR4-2	GMGG4-2	4 - 2	100-50	114,3 - 60,3
GMGR4-2½	GMGG4-2½	4 - 2½	100-65	114,3 - 76,1
GMGR4-3	GMGG4-3	4 - 3	100-80	114,3 - 88,9
GMGR5-1½*	GMGR5-1½*	5 - 1½	125-40	139,7 - 48,3
GMGR5-2	GMGG5-2	5 - 2	125-50	139,7 - 60,3
GMGR5-2½	GMGG5-2½	5 - 2½	125-65	139,7 - 76,1
GMGR5-3*	GMGR5-3*	5 - 3	125-80	139,7 - 88,9
GMGR6-1¼	GMGG6-1¼	6 - 1¼	150-32	168,3 - 42,4
GMGR6-1½	GMGG6-1½	6 - 1½	150-40	168,3 - 48,3
GMGR6-2	GMGG6-2	6 - 2	150-50	168,3 - 60,3

MECHANICAL TEE • GMG



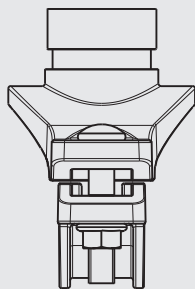
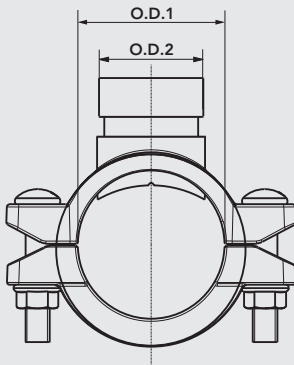
Mechanical tees type GMG with grooved outlet can be used for any tee connection where a grooved outlet is needed. They may be converted into a cross when necessary.



Reference		Nominal size Run - reducing outlet		Pipe Ø O.D. - T
Red	Galva	NPS inch	DN mm	O.D.1 - O.D.2 mm
GMGR6-2½	GMGG6-2½	6 - 2½	150-65	168,3 - 76,1
GMGR6-3	GMGG6-3	6 - 3	150-80	168,3 - 88,9
GMGR6-4	GMGG6-4	6 - 4	150-100	168,3 - 114,3
GMGR8-2	GMGR8-2	8 - 2	200-50	219,1 - 60,3
GMGR8-2½	GMGG8-2½	8 - 2½	200-65	219,1 - 76,1
GMGR8-3	GMGG8-3	8 - 3	200-80	219,1 - 88,9
GMGR8-4*	GMGR8-4*	8 - 4	200-100	219,1 - 114,3
GMGR10-2	GMGR10-2	10 - 2	250-50	273,0 - 60,3

* ONLY AVAILABLE IN CONTAINER DIRECTLY FROM FACTORY

The following sizes are also available on request, in container: 73mm / 141,3mm / 165,1mm.



MATERIAL

- **Housing:** ductile iron conform to ASTM A536 GR 65-45-12.
- **Coating:**
 - Hot dip galvanised.
 - Red paint coating RAL 3000, EPD epoxy coating.
 - Any other colour on request.
- **Gasket:** EPDM; optional: NBR.
- **Bolts & nuts:** carbon steel grade 8.8, zinc electroplated.
- **Working pressure:** 2,07 MPa / 20,7 bar / 300 psi.



Solid threaded branch outlet design.

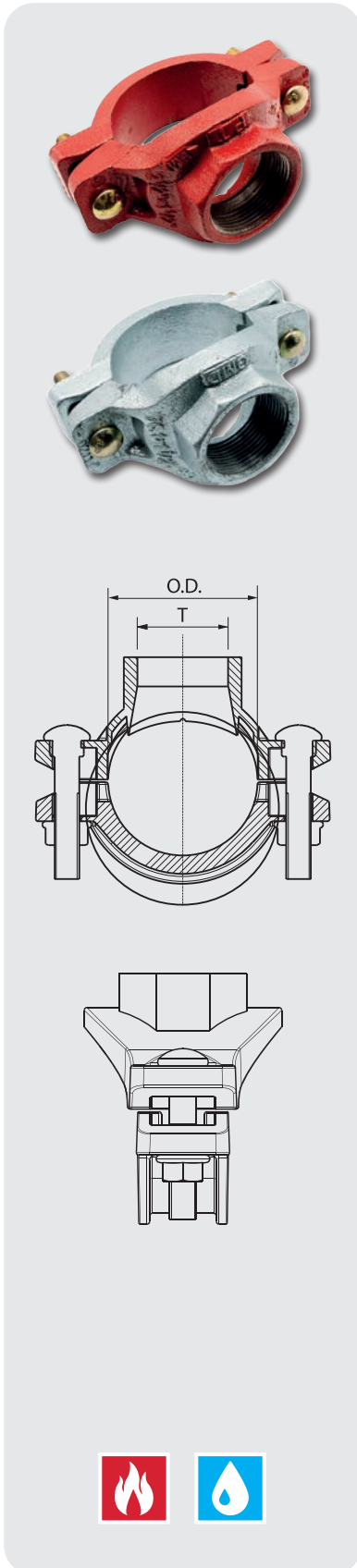


THREADED MECHANICAL TEE • GMD



DATASHEET

Threaded mechanical tees type GMD may be used for any tee connection where a threaded outlet is needed. Some sizes may be converted into a cross when necessary. **With threaded BSPT outlet.**



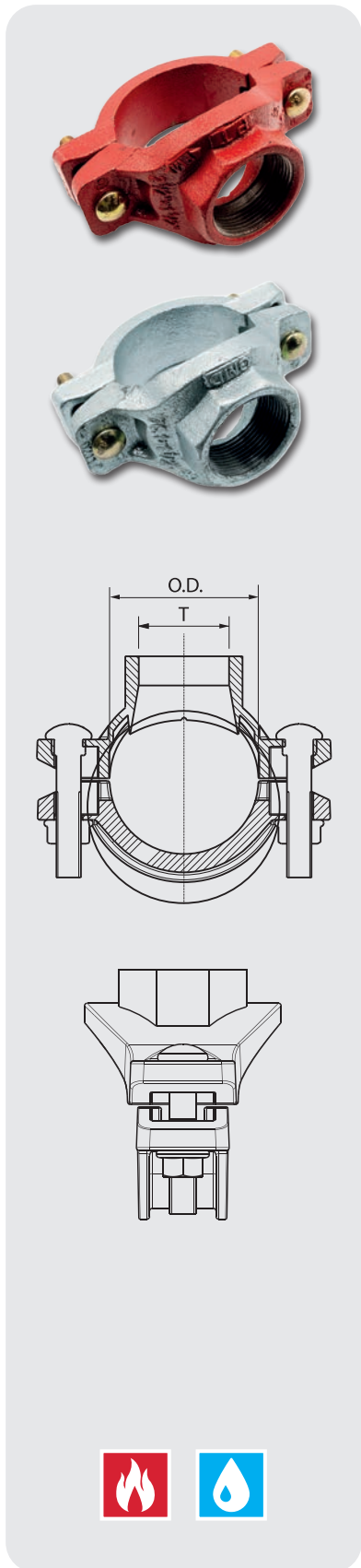
Reference		Nominal size Run - reducing outlet		Pipe Ø O.D. - T
Red	Galva	NPS inch	DN mm	mm - inch
GMDR2-1¼	GMDG2-1¼	2-1¼	50-32	60,3 - 1¼
GMDR2-1½	GMDG2-1½	2-1½	50-40	60,3 - 1½
GMDR2½-1¼	GMDG2½-1¼	2½-1¼	65-32	76,1 - 1¼
GMDR2½-1½	GMDG2½-1½	2½-1½	65-40	76,1 - 1½
GMDR2½-2*	GMDG2½-2*	2½-2	65-50	76,1 - 2
GMDR3-½*	GMDG3-½*	3-½	80-15	88,9 - ½
GMDR3-¾*	GMDG3-¾*	3-¾	80-20	88,9 - ¾
GMDR3-1	GMDG3-1	3-1	80-25	88,9 - 1
GMDR3-1¼	GMDG3-1¼	3-1¼	80-32	88,9 - 1¼
GMDR3-1½	GMDG3-1½	3-1½	80-40	88,9 - 1½
GMDR3-2	GMDG3-2	3-2	80-50	88,9 - 2
GMDR3-2½*	GMDG3-2½*	3-2½	80-65	88,9 - 2½
GMDR4-½*	GMDG4-½*	4-½	100-15	114,3 - ½
GMDR4-¾*	GMDG4-¾*	4-¾	100-20	114,3 - ¾
GMDR4-1	GMDG4-1	4-1	100-25	114,3 - 1
GMDR4-1¼	GMDG4-1¼	4-1¼	100-32	114,3 - 1¼
GMDR4-1½	GMDG4-1½	4-1½	100-40	114,3 - 1½
GMDR4-2	GMDG4-2	4-2	100-50	114,3 - 2
GMDR4-2½	GMDG4-2½	4-2½	100-65	114,3 - 2½
GMDR4-3*	GMDG4-3*	4-3	100-80	114,3 - 3
GMDR5-1	GMDG5-1	5-1	125-25	139,7 - 1
GMDR5-1¼	GMDG5-1¼	5-1¼	125-32	139,7 - 1¼
GMDR5-1½	GMDG5-1½	5-1½	125-40	139,7 - 1½
GMDR5-2	GMDG5-2	5-2	125-50	139,7 - 2
GMDR5-2½*	GMDG5-2½*	5-2½	125-65	139,7 - 2½
GMDR5-3*	GMDG5-3*	5-3	125-80	139,7 - 3
GMDR6-1	GMDG6-1	6-1	150-25	168,3 - 1
GMDR6-1¼	GMDG6-1¼	6-1¼	150-32	168,3 - 1¼
GMDR6-1½	GMDG6-1½	6-1½	150-40	168,3 - 1½

THREADED MECHANICAL TEE • GMD



Threaded mechanical tees type GMD may be used for any tee connection where a threaded outlet is needed. Some sizes may be converted into a cross when necessary. **With threaded BSPT outlet.**

DATASHEET



Reference		Nominal size Run - reducing outlet		Pipe Ø O.D. - T
Red	Galva	NPS inch	DN mm	mm - inch
GMDR6-2	GMDG6-2	6-2	150-50	168,3 - 2
GMDR6-2½	GMDG6-2½	6-2½	150-65	168,3 - 2½
GMDR6-3*	GMDG6-3*	6-3	150-80	168,3 - 3
GMDR6-4*	GMDG6-4*	6-4	150-100	168,3 - 4
GMDR8-1	GMDG8-1	8-1	200-25	219,1 - 1
GMDR8-1¼*	GMDG8-1¼*	8-1¼	200-32	219,1 - 1¼
GMDR8-1½*	GMDG8-1½*	8-1½	200-40	219,1 - 1½
GMDR8-2	GMDG8-2	8-2	200-50	219,1 - 2
GMDR8-2½*	GMDG8-2½*	8-2½	200-65	219,1 - 2½
GMDR8-3*	GMDG8-3*	8-3	200-80	219,1 - 3
GMDR8-4*	GMDG8-4*	8-4	200-100	219,1 - 4

* ONLY AVAILABLE IN CONTAINER DIRECTLY FROM FACTORY

The following sizes are also available on request, in container: 73mm / 165,1mm.

MATERIAL

- **Housing:** ductile iron conform to ASTM A536 GR 65-45-12.
- **Coating:**
 - Hot dip galvanised.
 - Red paint coating RAL 3000, EPD epoxy coating.
 - Any other colour on request.
- **Gasket:** EPDM; optional: NBR.
- **Bolts & nuts:** carbon steel grade 8.8, zinc electroplated.
- **Working pressure:** 2,07 MPa / 20,7 bar / 300 psi.



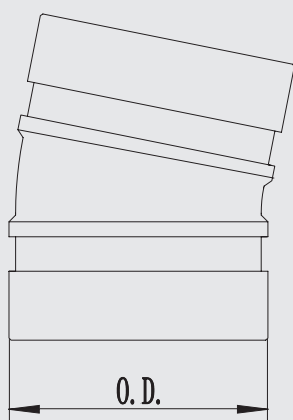
Solid grooved branch outlet design.

ELBOW 11,25° • GB11



DATASHEET

Grooved elbows type GB11 provide an economical and efficient method of changing direction in grooved piping systems.



Reference		Nominal size		Pipe Ø O.D.
Red	Galva	NPS inch	DN mm	mm
GB11R1¼	GB11G1¼	1¼	32	42,4
GB11R1½	GB11G1½	1½	40	48,3
GB11R2	GB11G2	2	50	60,3
GB11R2½	GB11G2½	2½	65	76,1
GB11R3	GB11G3	3	80	88,9
GB11R4	GB11G4	4	100	114,3
GB11R5	GB11G5	5	125	139,7
GB11R6	GB11G6	6	150	168,3
GB11R8	GB11G8	8	200	219,1
GB11R10	GB11G10	10	250	273,0
GB11R12	GB11G12	12	300	323,9

The following sizes are also available on request, in container directly from factory:
73mm / 108mm / 133mm / 141,3mm / 159mm / 165,1mm.

MATERIAL

- **Housing:** ductile iron conform to ASTM A536 GR 65-45-12.
- **Coating:**
 - Hot dip galvanised.
 - Red paint coating RAL 3000, EPD epoxy coating.
 - Any other colour on request.
- **Working pressure:** 2,07 MPa / 20,7 bar / 300 psi.

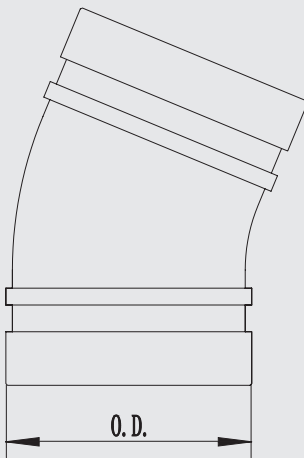


ELBOW 22,50° • GB22



DATASHEET

Grooved elbows type GB22 provide an economical and efficient method of changing direction in grooved piping systems.



Reference		Nominal size		Pipe Ø O.D.
Red	Galva	NPS inch	DN mm	mm
GB22R1¼	GB22G1¼	1¼	32	42,4
GB22R1½	GB22G1½	1½	40	48,3
GB22R2	GB22G2	2	50	60,3
GB22R2½	GB22G2½	2½	65	76,1
GB22R3	GB22G3	3	80	88,9
GB22R4	GB22G4	4	100	114,3
GB22R5	GB22G5	5	125	139,7
GB22R6	GB22G6	6	150	168,3
GB22R8	GB22G8	8	200	219,1
GB22R10	GB22G10	10	250	273,0
GB22R12	GB22G12	12	300	323,9

The following sizes are also available on request, in container directly from factory:
73mm / 108mm / 133mm / 159mm / 165,1mm.

MATERIAL

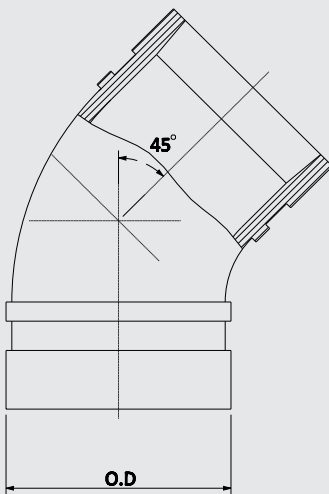
- **Housing:** ductile iron conform to ASTM A536 GR 65-45-12.
- **Coating:**
 - Hot dip galvanised.
 - Red paint coating RAL 3000, EPD epoxy coating.
 - Any other colour on request.
- **Working pressure:** 2,07 MPa / 20,7 bar / 300 psi.



ELBOW 45° • GB45



Grooved elbows type GB45 provide an economical and efficient method of changing direction in grooved piping systems.



Reference		Nominal size		Pipe Ø O.D.
Red	Galva	NPS inch	DN mm	mm
GB45R1	GB45G1	1	25	33,7
GB45R1¼	GB45G1¼	1¼	32	42,4
GB45R1½	GB45G1½	1½	40	48,3
GB45R2	GB45G2	2	50	60,3
GB45R2½	GB45G2½	2½	65	76,1
GB45R3	GB45G3	3	80	88,9
GB45R4	GB45G4	4	100	114,3
GB45R5	GB45G5	5	125	139,7
GB45R6	GB45G6	6	150	168,3
GB45R8	GB45G8	8	200	219,1
GB45R10	GB45G10	10	250	273,0
GB45R12	GB45G12	12	300	323,9
GB45R14*	GB45G14*	14	350	356,0

* ONLY AVAILABLE IN CONTAINER DIRECTLY FROM FACTORY

The following sizes are also available on request, in container directly from factory:
73mm / 108mm / 133mm / 159mm / 165,1mm.

MATERIAL

- **Housing:** ductile iron conform to ASTM A536 GR 65-45-12.
- **Coating:**
 - Hot dip galvanised.
 - Red paint coating RAL 3000, EPD epoxy coating.
 - Any other colour on request.
- **Working pressure:** 2,07 MPa / 20,7 bar / 300 psi.

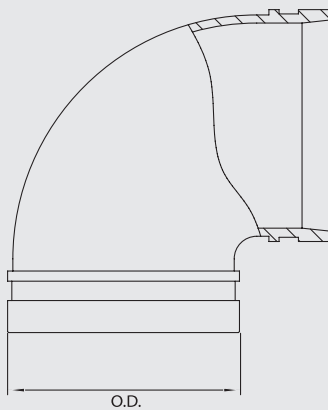


ELBOW 90° • GB90



DATASHEET

Grooved elbows type GB90 provide an economical and efficient method of changing direction in grooved piping systems.



Reference			Nominal size		Pipe Ø O.D.
Red	Galva	White	NPS inch	DN mm	mm
GB90R1	GB90G1	GB90W1	1	25	33,7
GB90R1¼	GB90G1¼	GB90W1¼	1¼	32	42,4
GB90R1½	GB90G1½	GB90W1½	1½	40	48,3
GB90R2	GB90G2	GB90W2	2	50	60,3
GB90R2½	GB90G2½	GB90W2½	2½	65	76,1
GB90R3	GB90G3	GB90W3	3	80	88,9
GB90R4	GB90G4	GB90W4	4	100	114,3
GB90R5	GB90G5	GB90W5	5	125	139,7
GB90R6	GB90G6	GB90W6	6	150	168,3
GB90R8	GB90G8	GB90W8	8	200	219,1
GB90R10	GB90G10	GB90W10	10	250	273,0
GB90R12	GB90G12	GB90W12*	12	300	323,9
GB90R14*	GB90G14*	GB90W14*	14	350	356,0
GB90R16*	GB90G16*	GB90W16*	16	400	406,4

* ONLY AVAILABLE IN CONTAINER DIRECTLY FROM FACTORY 

The following sizes are also available on request, in container directly from factory:
73mm / 108mm / 133mm / 159mm / 165,1mm.

MATERIAL

- **Housing:** ductile iron conform to ASTM A536 GR 65-45-12.
- **Coating:**
 - Hot dip galvanised.
 - Red paint coating RAL 3000, EPD epoxy coating.
 - White powder coating RAL 9010.
 - Any other colour on request.
- **Working pressure:** 2,07 MPa / 20,7 bar / 300 psi.

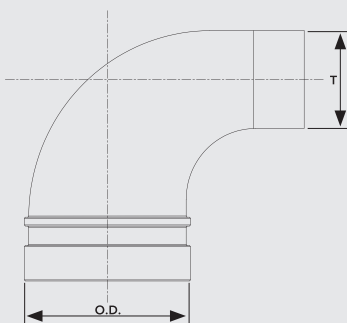


REDUCING ELBOW 90° • GBD90



DATASHEET

Grooved reducing elbows type GBD90, with female threaded outlet, provide an economical and efficient method of changing direction in grooved piping systems.



Reference		Nominal size		Pipe Ø O.D. - T
Red	Galva	NPS inch	DN mm	mm - inch
GBD90R1¼-½	GBD90G1¼-½	1¼ - ½	32-15	42,4 - ½
GBD90R1¼-¾	GBD90G1¼-¾	1¼ - ¾	32-20	42,4 - ¾
GBD90R1¼-1	GBD90G1¼-1	1¼ - 1	32-25	42,4 - 1
GBD90R1½-½	GBD90G1½-½	1½ - ½	40-15	48,3 - ½
GBD90R1½-¾	GBD90G1½-¾	1½ - ¾	40-20	48,3 - ¾
GBD90R1½-1	GBD90G1½-1	1½ - 1	40-25	48,3 - 1
GBD90R2-½	GBD90G2-½	2 - ½	50-15	60,3 - ½
GBD90R2-¾	GBD90G2-¾	2 - ¾	50-20	60,3 - ¾
GBD90R2-1	GBD90G2-1	2 - 1	50-25	60,3 - 1

The following sizes are also available on request, in container directly from factory:
73mm / 76,1mm / 88,9mm.

MATERIAL

- **Housing:** ductile iron conform to ASTM A536 GR 65-45-12.
- **Coating:**
 - Hot dip galvanised.
 - Red paint coating RAL 3000, EPD epoxy coating.
 - Any other colour on request.
- **Working pressure:** 2,07 MPa / 20,7 bar / 300 psi.

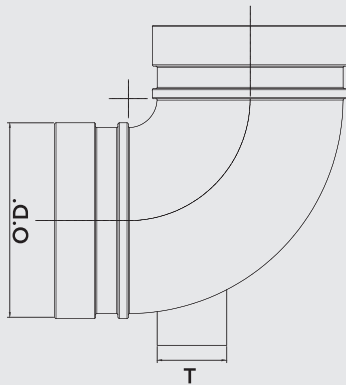


DRAIN ELBOW 90° • 2601



DATASHEET

Grooved elbows type 2601 with added 1" female threaded drain outlet, provide an economical and efficient method of changing direction in grooved piping systems.



Reference		Nominal size		Pipe Ø O.D. - T
Red	Galva	NPS inch	DN mm	mm - inch
2601R2-1	2601G2-1	2	50	60,3 - 1
2601R2½-1	2601G2½-1	2½	65	76,1 - 1
2601R3-1	2601G3-1	3	80	88,9 - 1
2601R4-1	2601G4-1	4	100	114,3 - 1
2601R6-1	2601G6-1	6	150	165,1 - 1

The following sizes are also available on request, in container directly from factory:
73mm / 141,3mm.

MATERIAL

- **Housing:** ductile iron conform to ASTM A536 GR 65-45-12.
- **Coating:**
 - Hot dip galvanised.
 - Red paint coating RAL 3000, EPD epoxy coating.
 - Any other colour on request.
- **Working pressure:** 2,07 MPa / 20,7 bar / 300 psi.

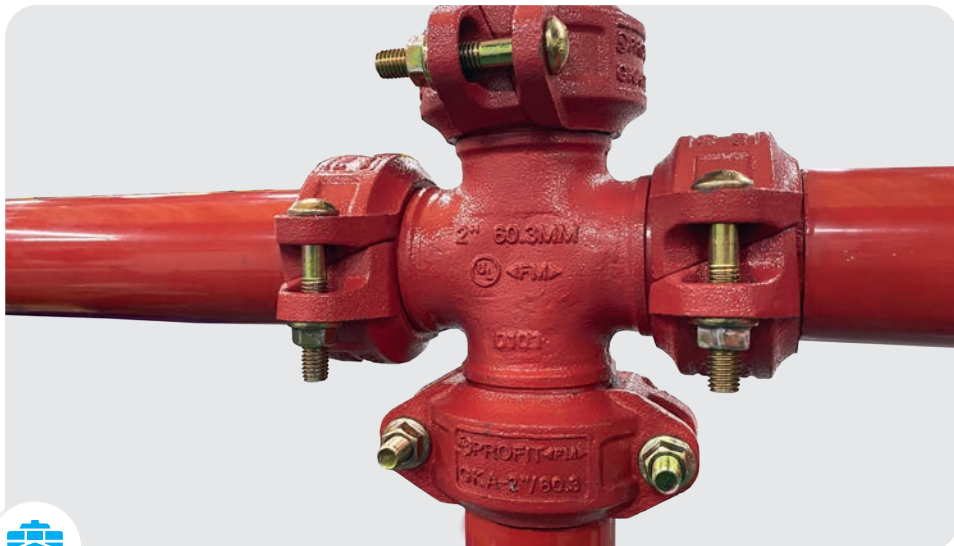


EQUAL CROSS • GC

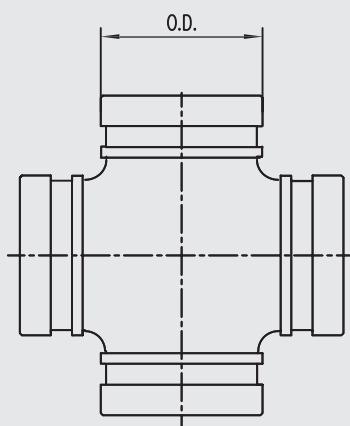


DATASHEET

Grooved equal crosses type GC provide an economical and efficient fitting for a triple outlet change of direction in pipe systems. Installation only with approved Profit couplings.



ONLY AVAILABLE IN CONTAINER DIRECTLY FROM FACTORY.



Reference		Nominal size		Pipe Ø O.D.
Red	Galva	NPS inch	DN mm	mm
GCR2	GCG2	2	50	60,3
GCR2½	GCG2½	2½	65	76,1
GCR3	GCG3	3	80	88,9
GCR4	GCG4	4	100	114,3
GCR5	GCGG5	5	125	139,7
GCR6	GCG6	6	150	168,3
GCR8	GCG8	8	200	219,1
GCR10	GCG10	10	250	273,0
GCR12	GCG12	12	300	323,9
GCR14	GCG14	14	350	356,0
GCR16	GCG16	16	400	406,4

The following sizes are also available on request, in container directly from factory:
73mm / 108mm / 133mm / 159mm / 165,1mm.

MATERIAL

- **Housing:** ductile iron conform to ASTM A536 GR 65-45-12.
- **Coating:**
 - Hot dip galvanised.
 - Red paint coating RAL 3000, EPD epoxy coating.
 - Any other colour on request.
- **Working pressure:** 2,07 MPa / 20,7 bar / 300 psi.

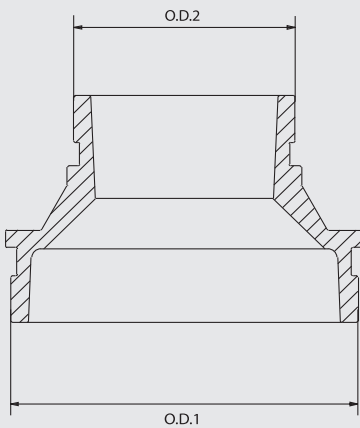


CONCENTRIC REDUCER • GRC



DATASHEET

Grooved concentric reducers type GRC provide an economical and efficient method of reducing grooved piping systems.



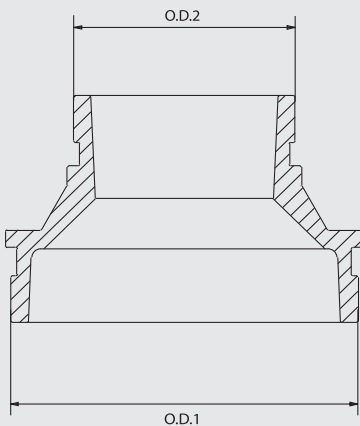
Reference		Nominal size		Pipe Ø O.D.
Red	Galva	NPS inch	DN mm	O.D.1 - O.D.2 mm
GRCR1¼-1*	GRCG1¼-1*	1¼ - 1	32-25	42,4 - 33,7
GRCR1½-1*	GRCG1½-1*	1½ - 1	40-25	48,3 - 33,7
GRCR1½-1¼	GRCG1½-1¼	1½ - 1¼	40-32	48,3 - 42,4
GRCR2-1	GRCG2-1	2 - 1	50-25	60,3 - 33,7
GRCR2-1¼	GRCG2-1¼	2 - 1¼	50-32	60,3 - 42,4
GRCR2-1½	GRCG2-1½	2 - 1½	50-40	60,3 - 48,3
GRCR2½-1*	GRCG2½-1*	2½ - 1	65-25	76,1 - 33,7
GRCR2½-1¼*	GRCG2½-1¼*	2½ - 1¼	65-32	76,1 - 42,4
GRCR2½-1½	GRCG2½-1½	2½ - 1½	65-40	76,1 - 48,3
GRCR2½-2	GRCG2½-2	2½ - 2	65-50	76,1 - 60,3
GRCR3-1¼*	GRCG3-1¼*	3 - 1¼	80-32	88,9 - 42,4
GRCR3-1½	GRCG3-1½	3 - 1½	80-40	88,9 - 48,3
GRCR3-2	GRCG3-2	3 - 2	80-50	88,9 - 60,3
GRCR3-2½	GRCG3-2½	3 - 2½	80-65	88,9 - 76,1
GRCR4-1¼*	GRCG4-1¼*	4 - 1¼	100-32	114,3 - 42,4
GRCR4-1½*	GRCG4-1½*	4 - 1½	100-40	114,3 - 48,3
GRCR4-2	GRCG4-2	4 - 2	100-50	114,3 - 60,3
GRCR4-2½	GRCG4-2½	4 - 2½	100-65	114,3 - 76,1
GRCR4-3	GRCG4-3	4 - 3	100-80	114,3 - 88,9
GRCR5-2	GRCG5-2	5 - 2	125-50	139,7 - 60,3
GRCR5-2½	GRCG5-2½	5 - 2½	125-65	139,7 - 76,1
GRCR5-3	GRCG5-3	5 - 3	125-80	139,7 - 88,9
GRCR5-4	GRCG5-4	5 - 4	125-100	139,7 - 114,3
GRCR6-2	GRCG6-2	6 - 2	150-50	168,3 - 60,3
GRCR6-2½*	GRCG6-2½*	6 - 2½	150-65	168,3 - 76,1

CONCENTRIC REDUCER • GRC



DATASHEET

Grooved concentric reducers type GRC provide an economical and efficient method of reducing grooved piping systems.



Reference		Nominal size		Pipe Ø O.D.
Red	Galva	NPS inch	DN mm	O.D.1 - O.D.2 mm
GRCR6-3	GRCG6-3	6 - 3	150-80	168,3 - 88,9
GRCR6-4	GRCG6-4	6 - 4	150-100	168,3 - 114,3
GRCR6-5	GRCG6-5	6 - 5	150-125	168,3 - 139,7
GRCR8-2½*	GRCG8-2½*	8 - 2½	200-65	219,1 - 76,1
GRCR8-3*	GRCG8-3*	8 - 3	200-80	219,1 - 88,9
GRCR8-4	GRCG8-4	8 - 4	200-100	219,1 - 114,3
GRCR8-5*	GRCG8-5	8 - 5	200-125	219,1 - 139,7
GRCR8-6	GRCG8-6	8 - 6	200-150	219,1 - 168,3
GRCR10-4	GRCG10-4	10 - 4	250-100	219,1 - 114,3
GRCR10-5	GRCG10-5	10 - 5	250-125	219,1 - 139,7
GRCR10-6	GRCG10-6	10 - 6	250-150	273,0 - 168,3
GRCR10-8	GRCG10-8	10 - 8	250-200	273,0 - 219,1
GRCR12-4	GRCG12-4	12 - 4	300-100	323,9 - 114,3
GRCR12-5	GRCG12-5	12 - 5	300-125	323,9 - 139,7
GRCR12-6	GRCG12-6	12 - 6	300-150	323,9 - 168,3
GRCR12-8	GRCG12-8	12 - 8	300-200	323,9 - 219,1
GRCR12-10	GRCG12-10	12 - 10	300-250	323,9 - 273,0
GRCR14-12*	GRCG14-12*	14 - 12	350-300	355,6 - 323,9
GRCR16-14*	GRCG16-14*	16 - 14	400-305	406,4 - 355,6

* ONLY AVAILABLE IN CONTAINER DIRECTLY FROM FACTORY

The following sizes are also available on request, in container directly from factory:
73mm / 108mm / 133mm / 159mm / 165,1mm.

MATERIAL

- **Housing:** ductile iron conform to ASTM A536 GR 65-45-12.
- **Coating:**
 - Hot dip galvanised.
 - Red paint coating RAL 3000, EPD epoxy coating.
 - Any other colour on request.
- **Working pressure:** 2,07 MPa / 20,7 bar / 300 psi.

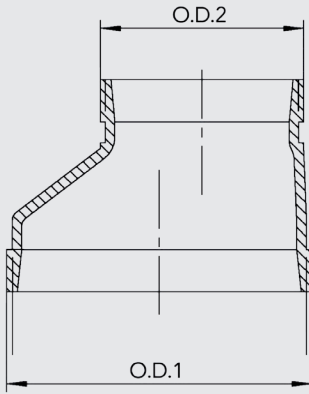


ECCENTRIC REDUCER • GRE



DATASHEET

Grooved eccentric reducers type GRE provide an economical and efficient method of reducing grooved piping. The smallest diameter is positioned eccentric to allow for better pipe draining.



ONLY AVAILABLE IN CONTAINER DIRECTLY FROM FACTORY.

Reference		Nominal size		Pipe Ø O.D.
Red	Galva	NPS inch	DN mm	O.D.1 - O.D.2 mm
GRER2½-1½	GREG2½-1½	2½ - 1½	65 - 40	76,1 - 48,3
GRER2½-2	GREG2½-2	2½ - 2	65 - 50	76,1 - 60,3
GRER3-1½	GREG3-1½	3 - 1½	80 - 40	88,9 - 48,3
GRER3-2	GREG3-2	3 - 2	80 - 50	88,9 - 60,3
GRER3-2½	GREG3-2½	3 - 2½	80 - 65	88,9 - 76,1
GRER4-2	GREG4-2	4 - 2	100 - 50	114,3 - 60,3
GRER4-2½	GREG4-2½	4 - 2½	100 - 65	114,3 - 76,1
GRER4-3	GREG4-3	4 - 3	100 - 80	114,3 - 88,9
GRER5-2	GREG5-2	5 - 2	125 - 50	139,7 - 60,3
GRER5-2½	GREG5-2½	5 - 2½	125 - 65	139,7 - 76,1
GRER5-3	GREG5-3	5 - 3	125 - 80	139,7 - 88,9
GRER5-4	GREG5-4	5 - 4	125 - 100	139,7 - 114,3
GRER6-2	GREG6-2	6 - 2	150 - 50	168,3 - 60,3
GRER6-2½	GREG6-2½	6 - 2½	150 - 65	168,3 - 76,1
GRER6-3	GREG6-3	6 - 3	150 - 80	168,3 - 88,9
GRER6-4	GREG6-4	6 - 4	150 - 100	168,3 - 114,3
GRER6-5	GREG6-5	6 - 5	150 - 125	168,3 - 139,7
GRER8-4	GREG8-4	8 - 4	200 - 100	219,1 - 114,3
GRER8-6	GREG8-6	8 - 6	200 - 150	219,1 - 168,3
GRER10-6	GREG10-6	10 - 6	250 - 150	273,0 - 168,3
GRER10-8	GREG10-8	10 - 8	250 - 200	273,0 - 219,1
GRER12-6	GREG12-6	12 - 6	300 - 150	323,9 - 168,3
GRER12-8	GREG12-8	12 - 8	300 - 200	323,9 - 219,1
GRER12-10	GREG12-10	12 - 10	300 - 250	323,9 - 273,0

The following sizes are also available on request, in container directly from factory:
73mm / 108mm / 133mm / 159mm / 165,1mm.



MATERIAL

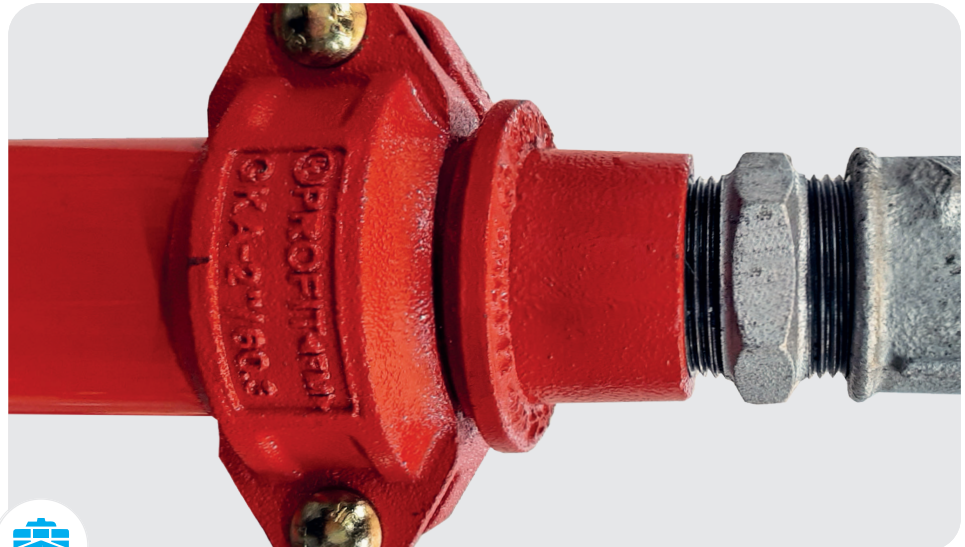
- **Coating:**
 - Hot dip galvanised.
 - Red paint coating RAL 3000, EPD epoxy coating.
 - Any other colour on request.
- **Housing:** ductile iron conform to ASTM A536 GR 65-45-12.
- **Working pressure:** 2,07 MPa / 20,7 bar / 300 psi.

THREADED CONCENTRIC REDUCER • GRCD

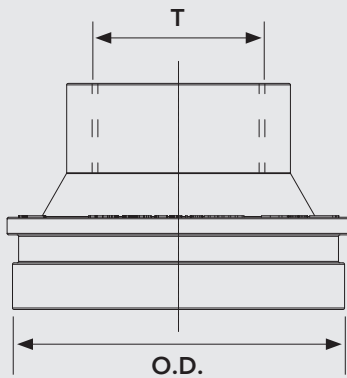


DATASHEET

Threaded concentric reducers type GRCD provide an economical and efficient method of reducing grooved to threaded piping systems.



ONLY AVAILABLE IN CONTAINER DIRECTLY FROM FACTORY.



Reference		Nominal size		Pipe Ø O.D. - T
Red	Galva	NPS inch	DN mm	mm - inch
GRCDR1¼-1	GRCDG1¼-1	1¼ - 1	32	42,4 - 1
GRCDR1½-1	GRCDG1½-1	1½ - 1	40	48,3 - 1
GRCDR1½-1¼	GRCDG1½-1¼	1½ - 1¼	40	48,3 - 1¼
GRCDR2-1	GRCDG2-1	2 - 1	50	60,3 - 1
GRCDR2-1¼	GRCDG2-1¼	2 - 1¼	50	60,3 - 1¼
GRCDR2-1½	GRCDG2-1½	2 - 1½	50	60,3 - 1½
GRCDR2½-1	GRCDG2½-1	2½ - 1	65	76,1 - 1
GRCDR2½-1¼	GRCDG2½-1¼	2½ - 1¼	65	76,1 - 1¼
GRCDR2½-1½	GRCDG2½-1½	2½ - 1½	65	76,1 - 1½
GRCDR2½-2	GRCDG2½-2	2½ - 2	65	76,1 - 2
GRCDR3-1	GRCDG3-1	3 - 1	80	88,9 - 1
GRCDR3-1¼	GRCDG3-1¼	3 - 1¼	80	88,9 - 1¼
GRCDR3-1½	GRCDG3-1½	3 - 1½	80	88,9 - 1½
GRCDR3-2	GRCDG3-2	3 - 2	80	88,9 - 2
GRCDR3-2½	GRCDG3-2½	3 - 2½	80	88,9 - 2½
GRCDR4-1	GRCDG4-1	4 - 1	100	114,3 - 1
GRCDR4-1¼	GRCDG4-1¼	4 - 1¼	100	114,3 - 1¼
GRCDR4-1½	GRCDG4-1½	4 - 1½	100	114,3 - 1½
GRCDR4-2	GRCDG4-2	4 - 2	100	114,3 - 2
GRCDR4-2½	GRCDG4-2½	4 - 2½	100	114,3 - 2½
GRCDR4-3	GRCDG4-3	4 - 3	100	114,3 - 3
GRCDR5-1	GRCDG5-1	5 - 1	125	139,7 - 1
GRCDR5-1¼	GRCDG5-1¼	5 - 1¼	125	139,7 - 1¼
GRCDR5-1½	GRCDG5-1½	5 - 1½	125	139,7 - 1½
GRCDR5-2	GRCDG5-2	5 - 2	125	139,7 - 2

THREADED CONCENTRIC REDUCER • GRCD

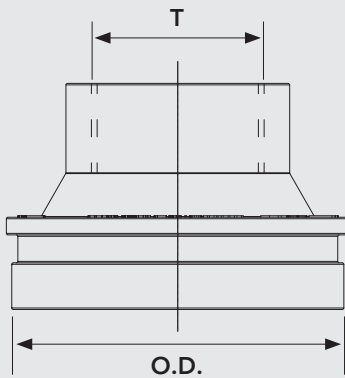


DATASHEET

Threaded concentric reducers type GRCD provide an economical and efficient method of reducing grooved to threaded piping systems.



ONLY AVAILABLE IN CONTAINER DIRECTLY FROM FACTORY



Reference		Nominal size		Pipe Ø O.D. - T
Red	Galva	NPS inch	DN mm	mm - inch
GRCDR5-2½	GRCDG5-2½	5 - 2½	125	139,7 - 2½
GRCDR5-3	GRCDG5-3	5 - 3	125	139,7 - 3
GRCDR5-4	GRCDG5-4	5 - 4	125	139,7 - 4
GRCDR6-1	GRCDG6-1	6 - 1	150	168,3 - 1
GRCDR6-1¼	GRCDG6-1¼	6 - 1¼	150	168,3 - 1¼
GRCDR6-1½	GRCDG6-1½	6 - 1½	150	168,3 - 1½
GRCDR6-2	GRCDG6-2	6 - 2	150	168,3 - 2
GRCDR6-2½	GRCDG6-2½	6 - 2½	150	168,3 - 2½
GRCDR6-3	GRCDG6-3	6 - 3	150	168,3 - 3
GRCDR6-4	GRCDG6-4	6 - 4	150	168,3 - 4
GRCDR8-1	GRCDG8-1	8 - 1	200	219,1 - 1
GRCDR8-1¼	GRCDG8-1¼	8 - 1¼	200	219,1 - 1¼
GRCDR8-1½	GRCDG8-1½	8 - 1½	200	219,1 - 1½
GRCDR8-2	GRCDG8-2	8 - 2	200	219,1 - 2
GRCDR8-2½	GRCDG8-2½	8 - 2½	200	219,1 - 2½
GRCDR8-3	GRCDG8-3	8 - 3	200	219,1 - 3
GRCDR8-4	GRCDG8-4	8 - 4	200	219,1 - 4

The following sizes are also available on request, in container directly from factory:
73mm / 108mm / 133mm / 159mm / 165,1mm.

MATERIAL

- **Housing:** ductile iron conform to ASTM A536 GR 65-45-12.
- **Coating:**
 - Hot dip galvanised.
 - Red paint coating RAL 3000, EPD epoxy coating.
 - Any other colour on request.
- **Working pressure:** 2,07 MPa / 20,7 bar / 300 psi.

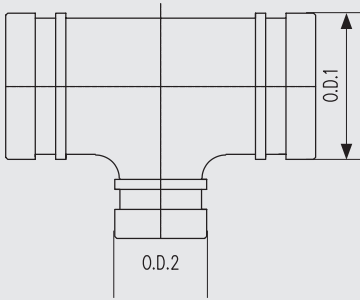


REDUCING TEE • GRT



DATASHEET

Grooved reducing tees type GRT provide an economical and efficient method of adding a reduced grooved branch connection.



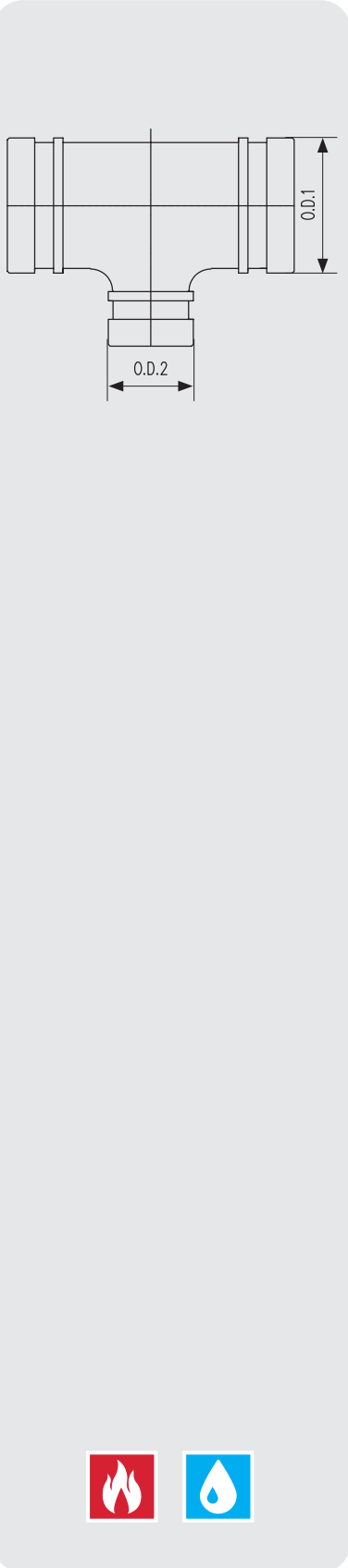
Reference		Nominal size		Pipe Ø O.D.
Red	Galva	NPS inch	DN mm	O.D.1 - O.D.2 mm
GRTR2-1*	GRTG2-1*	2 - 1	50 x 25	60,3 - 33,7
GRTR2-1¼*	GRTG2-1¼*	2 - 1¼	50 x 32	60,3 - 42,4
GRTR2-1½*	GRTG2-1½*	2 - 1½	50 x 40	60,3 - 48,3
GRTR2½-1¼*	GRTG2½-1¼*	2½ - 1¼	65 x 32	76,1 - 42,4
GRTR2½-1½*	GRTG2½-1½*	2½ - 1½	65 x 40	76,1 - 48,3
GRTR2½-2	GRTG2½-2	2½ - 2	65 x 50	76,1 - 60,3
GRTR3-1¼*	GRTG3-1¼*	3 - 1¼	80 x 32	88,9 - 42,4
GRTR3-1½*	GRTG3-1½*	3 - 1½	80 x 40	88,9 - 48,3
GRTR3-2*	GRTG3-2*	3 - 2	80 x 50	88,9 - 60,3
GRTR3-2½	GRTG3-2½	3 - 2½	80 x 65	88,9 - 76,1
GRTR4-2*	GRTG4-2*	4 - 2	100 x 50	114,3 - 60,3
GRTR4-2½	GRTG4-2½	4 - 2½	100 x 65	114,3 - 76,1
GRTR4-3	GRTG4-3	4 - 3	100 x 80	114,3 - 88,9
GRTR5-2*	GRTG5-2*	5 - 2	125 x 50	139,7 - 60,3
GRTR5-2½	GRTG5-2½	5 - 2½	125 x 65	139,7 - 76,1
GRTR5-3	GRTG5-3	5 - 3	125 x 80	139,7 - 88,9
GRTR5-4	GRTG5-4	5 - 4	125 x 100	139,7 - 114,3
GRTR6-2*	GRTG6-2*	6 - 2	150 x 50	168,3 - 60,3
GRTR6-2½*	GRTG6-2½*	6 - 2½	150 x 65	168,3 - 76,1
GRTR6-3	GRTG6-3	6 - 3	150 x 80	168,3 - 88,9
GRTR6-4	GRTG6-4	6 - 4	150 x 100	168,3 - 114,3
GRTR6-5*	GRTG6-5*	6 - 5	150 x 125	168,3 - 139,7
GRTR8-2½*	GRTG8-2½*	8 - 2½	200 x 65	219,1 - 76,1
GRTR8-3	GRTG8-3	8 - 3	200 x 80	219,1 - 88,9
GRTR8-4	GRTG8-4	8 - 4	200 x 100	219,1 - 114,3
GRTR8-5	GRTG8-5	8 - 5	200 x 125	219,1 - 139,7



REDUCING TEE • GRT



Grooved reducing tees type GRT provide an economical and efficient method of adding a reduced grooved branch connection.



Reference		Nominal size		Pipe Ø O.D.
Red	Galva	NPS inch	DN mm	O.D.1 - O.D.2 mm
GRTR8-6	GRTG8-6	8 - 6	200 x 150	219,1 - 168,3
GRTR10-4*	GRTG10-4*	10 - 4	250 x 100	273,0 - 114,3
GRTR10-6*	GRTG10-6*	10 - 6	250 x 150	273,0 - 168,3
GRTR10-8*	GRTG10-8*	10 - 8	250 x 200	273,0 - 219,1
GRTR12-4*	GRTG12-4*	12 - 4	300 x 100	323,9 - 114,3
GRTR12-6*	GRTG12-6*	12 - 6	300 x 150	323,9 - 168,3
GRTR12-8*	GRTG12-8*	12 - 8	300 x 200	323,9 - 219,1
GRTR12-10*	GRTG12-10*	12 - 10	300 x 250	323,9 - 273,0

* ONLY AVAILABLE IN CONTAINER DIRECTLY FROM FACTORY 

The following sizes are also available on request, in container directly from factory:
73mm / 108mm / 133mm / 159mm / 165,1mm.

MATERIAL

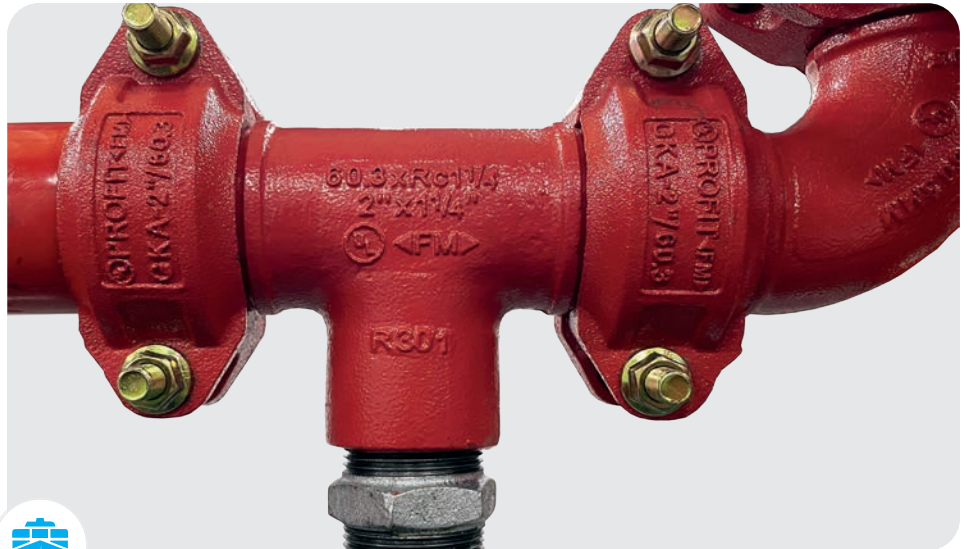
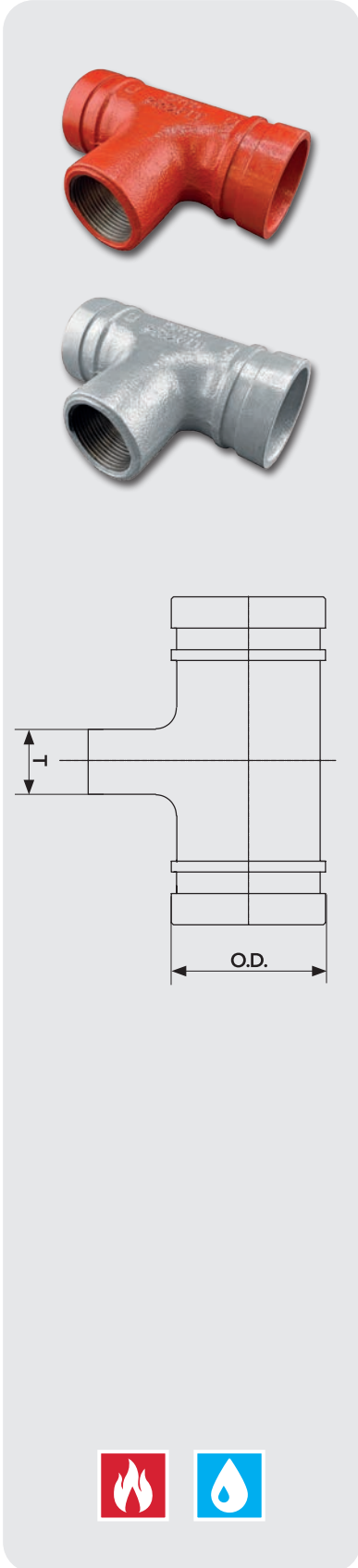
- **Housing:** ductile iron conform to ASTM A536 GR 65-45-12.
- **Coating:**
 - Hot dip galvanised.
 - Red paint coating RAL 3000, EPD epoxy coating.
 - Any other colour on request.
- **Working pressure:** 2,07 MPa / 20,7 bar / 300 psi.

THREADED REDUCING TEE • GRTD



DATASHEET

Threaded reducing tees type GRTD provide an economical and efficient method of adding a reduced threaded branch connection.



ONLY AVAILABLE IN CONTAINER DIRECTLY FROM FACTORY.

Reference		Nominal size		Pipe Ø O.D. - T
Red	Galva	NPS inch	DN mm	mm - inch
GRTDR2-1	GRTDG2-1	2 - 1	50-25	60,3 - 1
GRTDR2-1¼	GRTDG2-1¼	2 - 1¼	50-32	60,3 - 1¼
GRTDR2-1½	GRTDG2-1½	2 - 1½	50-40	60,3 - 1½
GRTDR2½-1	GRTDG2½-1	2½ - 1	65-25	76,1 - 1
GRTDR2½-1¼	GRTDG2½-1¼	2½ - 1¼	65-32	76,1 - 1¼
GRTDR2½-1½	GRTDG2½-1½	2½ - 1½	65-40	76,1 - 1½
GRTDR2½-2	GRTDG2½-2	2½ - 2	65-50	76,1 - 2
GRTDR3-1	GRTDG3-1	3 - 1	80-25	88,9 - 1
GRTDR3-1¼	GRTDG3-1¼	3 - 1¼	80-32	88,9 - 1¼
GRTDR3-1½	GRTDG3-1½	3 - 1½	80-40	88,9 - 1½
GRTDR3-2	GRTDG3-2	3 - 2	80-50	88,9 - 2
GRTDR3-2½	GRTDG3-2½	3 - 2½	80-65	88,9 - 2½
GRTDR4-1	GRTDG4-1	4 - 1	100-25	114,3 - 1
GRTDR4-1¼	GRTDG4-1¼	4 - 1¼	100-32	114,3 - 1¼
GRTDR4-1½	GRTDG4-1½	4 - 1½	100-40	114,3 - 1½
GRTDR4-2	GRTDG4-2	4 - 2	100-50	114,3 - 2
GRTDR4-2½	GRTDG4-2½	4 - 2½	100-65	114,3 - 2½
GRTDR5-1¼	GRTDG5-1¼	5 - 1¼	125-32	139,7 - 1¼
GRTDR5-1½	GRTDG5-1½	5 - 1½	125-40	139,7 - 1½
GRTDR5-2	GRTDG5-2	5 - 2	125-50	139,7 - 2
GRTDR5-2½	GRTDG5-2½	5 - 2½	125-65	139,7 - 2½
GRTDR5-3	GRTDG5-3	5 - 3	125-80	139,7 - 3
GRTDR6-1½	GRTDG6-1½	6 - 1½	150-40	168,3 - 1½
GRTDR6-2	GRTDG6-2	6 - 2	150-50	168,3 - 2
GRTDR6-2½	GRTDG6-2½	6 - 2½	150-65	168,3 - 2½
GRTDR6-3	GRTDG6-3	6 - 3	150-80	168,3 - 3

THREADED REDUCING TEE • GRTD

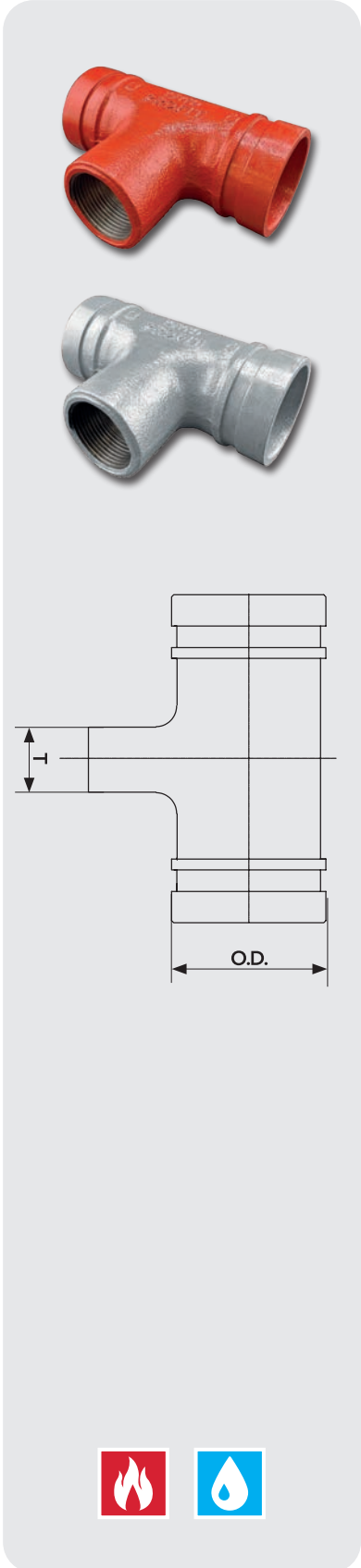


DATASHEET

Threaded reducing tees type GRTD provide an economical and efficient method of adding a reduced threaded branch connection.



ONLY AVAILABLE IN CONTAINER DIRECTLY FROM FACTORY



Reference		Nominal size		Pipe Ø O.D. - T
Red	Galva	NPS inch	DN mm	mm - inch
GRTDR8-2	GRTDG8-2	8 - 2	200-50	219,1 - 2
GRTDR8-2½	GRTDG8-2½	8 - 2½	200-65	219,1 - 2½
GRTDR8-3	GRTDG8-3	8 - 3	200-80	219,1 - 3
GRTDR8-4	GRTDG8-4	8 - 4	200-100	219,1 - 4

The following sizes are also available on request, in container directly from factory:
73mm / 108mm / 133mm / 159mm / 165,1mm.

MATERIAL

- **Housing:** ductile iron conform to ASTM A536 GR 65-45-12
- **Coating:**
 - Hot dip galvanised.
 - Red paint coating RAL 3000, EPD epoxy coating.
 - Any other colour on request.
- **Working pressure:** 2,07 MPa / 20,7 bar / 300 psi.

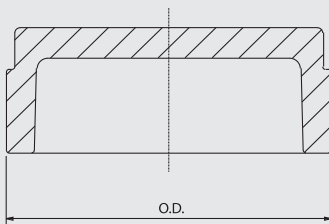
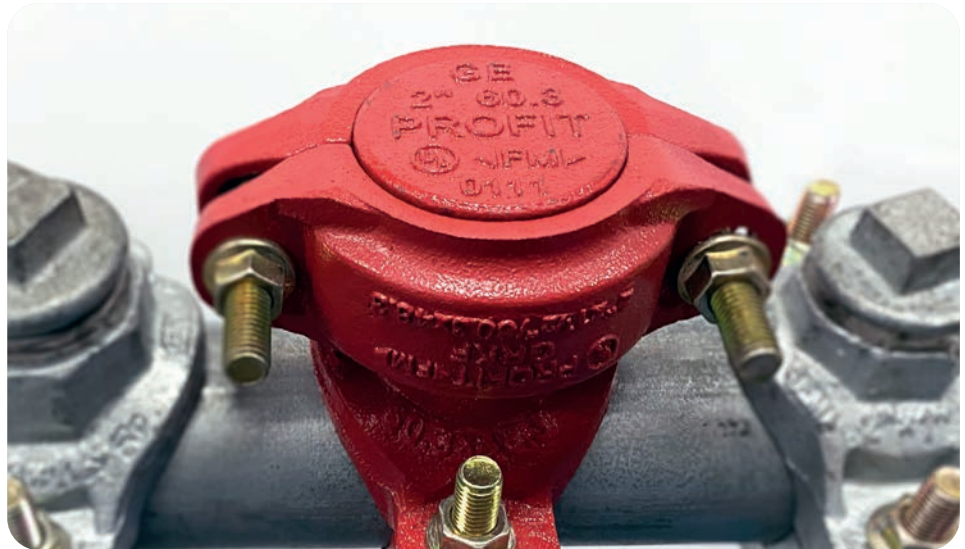


END CAP • GE



DATASHEET

Grooved end caps type GE provide an economical and efficient method of capping grooved piping systems.



Reference		Nominal size		Pipe Ø O.D.
Red	Galva	NPS inch	DN mm	mm
GER1	GEG1	1	25	33,7
GER1¼	GEG1¼	1¼	32	42,4
GER1½	GEG1½	1½	40	48,3
GER2	GEG2	2	50	60,3
GER2½	GEG2½	2½	65	76,1
GER3	GEG3	3	80	88,9
GER4	GEG4	4	100	114,3
GER5	GEG5	5	125	139,7
GER6	GEG6	6	150	168,3
GER8	GEG8	8	200	219,1
GER10	GEG10	10	250	273,0
GER12	GEG12	12	300	323,9

The following sizes are also available on request, in container directly from factory:
73mm / 108mm / 133mm / 159mm / 165,1mm.

MATERIAL

- **Housing:** ductile iron conform to ASTM A536 GR 65-45-12.
- **Coating:**
 - Hot dip galvanised.
 - Red paint coating RAL 3000, EPD epoxy coating.
 - Any other colour on request.
- **Working pressure:** 2,07 MPa / 20,7 bar / 300 psi.

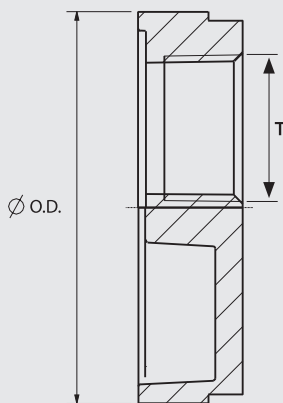


END CAP WITH ECCENTRIC HOLE • GED



DATASHEET

Grooved end caps type GED with threaded BSPT eccentric holes provide an economical and efficient method of reducing grooved piping systems. **With threaded BSPT outlet.**



Reference		Nominal size		Pipe Ø O.D. - T
Red	Galva	NPS inch	DN mm	mm - inch
GER1½-1*	GEG1½-1*	1½-1	40 - 25	48,3 - 1
GER2-1	GEG2-1	2 - 1	50 - 25	60,3 - 1
GER2-1¼*	GEG2-1¼*	2 - 1¼	50 - 32	60,3 - 1¼
GER2-1½	GEG2-1½	2 - 1½	50 - 40	60,3 - 1½
GER2½-1	GEG2½-1	2½ - 1	65 - 25	76,1 - 1
GER2½-1¼	GEG2½-1¼	2½ - 1¼	65 - 32	76,1 - 1¼
GER2½-1½	GEG2½-1½	2½ - 1½	65 - 40	76,1 - 1½
GER2½-2	GEG2½-2	2½ - 2	65 - 50	76,1 - 2
GER3-1	GEG3-1	3 - 1	80 - 25	88,9 - 1
GER3-1¼	GEG3-1¼	3 - 1¼	80 - 32	88,9 - 1¼
GER3-1½	GEG3-1½	3 - 1½	80 - 40	88,9 - 1½
GER3-2	GEG3-2	3 - 2	80 - 50	88,9 - 2
GER4-1	GEG4-1	4 - 1	100 - 25	114,3 - 1
GER4-1¼*	GEG4-1¼*	4 - 1¼	100 - 32	114,3 - 1¼
GER4-1½*	GEG4-1½*	4 - 1½	100 - 40	114,3 - 1½
GER4-2	GEG4-2	4 - 2	100 - 50	114,3 - 2
GER5-1½*	GEG5-1½*	5 - 1½	125 - 40	139,7 - 1½
GER5-2	GEG5-2	5 - 2	125 - 50	139,7 - 2
GER6-1	GEG6-1	6 - 1	150 - 25	165,1 - 1
GER6-2	GEG6-2	6 - 2	150 - 50	168,3 - 2
GER8-2	GEG8-2	8 - 2	200 - 50	219,1 - 2
GER10-1*	GEG10-1*	10 - 1	250 - 25	273,0 - 1
GER10-2	GEG10-2	10 - 2	250 - 50	273,0 - 2
GER12-1*	GEG12-1*	12 - 1	300 - 25	323,9 - 1
GER12-2	GEG12-2	12 - 2	300 - 50	323,9 - 2

* ONLY AVAILABLE IN CONTAINER DIRECTLY FROM FACTORY

The following sizes are also available on request, in container: 73mm / 141,3mm.

MATERIAL

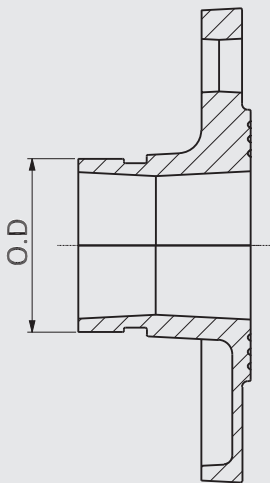
- **Coating:**
 - Hot dip galvanised.
 - Red paint coating RAL 3000, EPD epoxy coating.
 - Any other colour on request.
- **Housing:** ductile iron conform to ASTM A536 GR 65-45-12.
- **Working pressure:** 2,07 MPa / 20,7 bar / 300 psi.



ADAPTER FLANGE • GAF16



Grooved adapter flanges type GAF16 allow the connection between flanged and grooved end equipment.



Reference		Nominal size		Pipe Ø O.D.
Red	Galva	NPS inch	DN mm	mm
GAF16R2	GAF16G2	2	50	60,3
GAF16R2½	GAF16G2½	2½	65	76,1
GAF16R3	GAF16G3	3	80	88,9
GAF16R4	GAF16G4	4	100	114,3
GAF16R5	GAF16G5	5	125	139,7
GAF16R6	GAF16G6	6	150	168,3
GAF16R8	GAF16G8	8	200	219,1
GAF16R10	GAF16G10	10	250	273,0
GAF16R12	GAF16G12	12	300	323,9
GAF16R16*	GAF16G16*	16	400	406,4

The following sizes are also available on request, in container directly from factory:
73mm / 108mm / 133mm / 159mm / 165,1mm.

MATERIAL

- **Housing:** ductile iron conform to ASTM A536 GR 65-45-12.
- **Coating:**
 - Hot dip galvanised.
 - Red paint coating RAL 3000, EPD epoxy coating.
 - Any other colour on request.
- **Flange drilling:** EN 1092-PN16.
Also available on request, directly from factory:
 - EN 1092-PN25.
 - ASME B16-42-2011, ANSI 125LBS & ANSI 150LBS.
- **Working pressure:** 2,07 MPa / 20,7 bar / 300 psi.

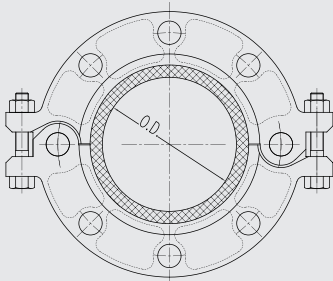


SPLIT ADAPTER FLANGE • GSF16



DATASHEET

Grooved split adapter flanges type GSF16 allow the connection between flanged and grooved end equipment.



Reference		Nominal size		Pipe Ø O.D.
Red	Galva	NPS inch	DN mm	mm
GSF16R2	GSF16G2	2	50	60,3
GSF16R2½	GSF16G2½	2½	65	76,1
GSF16R3	GSF16G3	3	80	88,9
GSF16R4	GSF16G4	4	100	114,3
GSF16R5*	GSF16G5*	5	125	139,7
GSF16R6	GSF16G6	6	150	168,3
GSF16R8	GSF16G8	8	200	219,1
GSF16R10	GSF16G10	10	250	273,0

* ONLY AVAILABLE IN CONTAINER DIRECTLY FROM FACTORY

The following sizes are also available on request, in container directly from factory:
73mm / 108mm / 133mm / 159mm / 165,1mm.

» Insertion steel ring for split flange (type RING GSF) available from stock, on request.

MATERIAL

- **Housing:** ductile iron conform to ASTM A536 GR 65-45-12.
- **Coating:**
 - Hot dip galvanised.
 - Red paint coating RAL 3000, EPD epoxy coating.
 - Any other colour on request.
- **Working pressure:** 2,07 MPa / 20,7 bar / 300 psi.

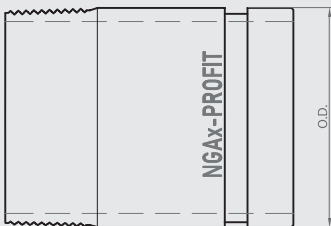


THREADED ADAPTER, MALE THREAD BSPT • NGA



DATASHEET

Nipple grooved adapters type NGA allow the connection between male threaded and grooved end equipment.



Reference		Nominal size		Pipe Ø O.D.
Black uncoated	Zinc electroplated	NPS inch	DN mm	mm
NGA1 - BLACK	NGA1 - GALVA	1	25	33,7
NGA1¼ - BLACK	NGA1¼ - GALVA	1¼	32	42,4
NGA1½ - BLACK	NGA1½ - GALVA	1½	40	48,3
NGA2 - BLACK	NGA2 - GALVA	2	50	60,3
NGA2½ - BLACK	NGA2½ - GALVA	2½	65	76,1
NGA3 - BLACK	NGA3 - GALVA	3	80	88,9
NGA4 - BLACK	NGA4 - GALVA	4	100	114,3

MATERIAL

- **Body:** carbon steel.
- **Surface finish:**
 - Black uncoated.
 - Zinc electroplated.
 - Any other colour powdercoated on request.
- Cutted grooved according AWWA C606.
- **Working pressure:** 2,07 MPa / 20,7 bar / 300 psi.

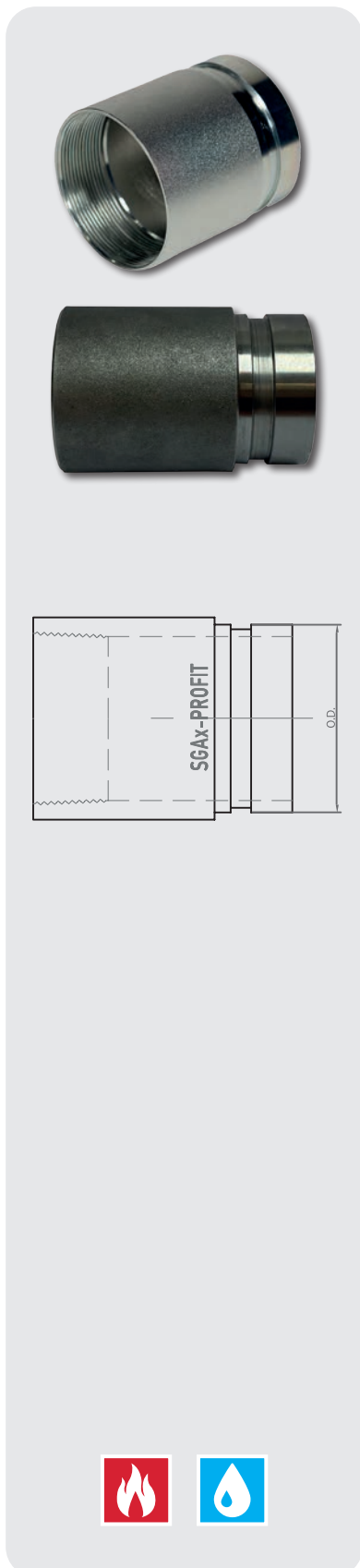


THREADED ADAPTER, FEMALE THREAD BSPT • SGA



DATASHEET

Socket grooved adapters type SGA allow the connection between female threaded and grooved end equipment.



Reference		Nominal size		Pipe Ø O.D.
Black uncoated	Zinc electroplated	NPS inch	DN mm	mm
SGA1 - BLACK	SGA1 - GALVA	1	25	33,7
SGA1¼ - BLACK	SGA1¼ - GALVA	1¼	32	42,4
SGA1½ - BLACK	SGA1½ - GALVA	1½	40	48,3
SGA2 - BLACK	SGA2 - GALVA	2	50	60,3
SGA2½ - BLACK	SGA2½ - GALVA	2½	65	76,1
SGA3 - BLACK	SGA3 - GALVA	3	80	88,9
SGA4 - BLACK	SGA4 - GALVA	4	100	114,3

MATERIAL

- **Body:** carbon steel.
- **Surface finish:**
 - Black uncoated.
 - Zinc electroplated.
 - Any other colour powdercoated on request.
- Cutted grooved according AWWA C606.
- **Working pressure:** 2,07 MPa / 20,7 bar / 300 psi.



MATERIALS

**HOUSING & FITTING**

Our standard housings and fittings are made of ductile iron conform to ASTM A-536, Grade 65-45-12. This material has a minimum tensile strength of 65.000 psi (448 MPa), a minimum yield strength of 45.000 psi (310 MPa) and minimum 12% elongation.

- Brand: marking PT or Profit.

COATING

EPD epoxy coating in RAL 3000 (red) or powder coating in RAL 9010 (white*), or hot dip galvanised.

- Profit coated products are intended for indoor piping applications (EN 12944-2 corrosivity category C1 & C2).
- For outdoor installations near the sea (corrosivity category C3), we advise to use our hot dip galvanised couplings and fittings.
- For application in higher salinity climate (corrosivity category C4) or higher, please contact info@pipinglogistics.eu.
- Profit couplings and fittings must be stored in closed and dry environments.

**BOLTS AND NUTS**

Heat resistant, zinc electroplated bolts and nuts made of carbon steel, conform to ASTM A183/ISO 898. Please check our technical data sheet for more information.

- Brand: marking PT.

Please observe the following procedures when using torque wrenches during installation of piping components on construction sites:

- 1) Make sure that the coupling housings are located in the pipe grooves and are over the lubricated gasket.
- 2) Insert bolts and run nuts finger tight.
- 3) Securely tighten nuts alternately and equally until fully tightened, keeping the gap at the bolt pad evenly spaced.

Note:

- Uneven tightening of bolts may damage the gasket.
- Lubricant should be applied at time of joint assembly.
- On piping installations operating at higher working pressures or within critical locations or environments, the use of a proprietary torque wrench is recommended.

*Other colours available on request.

MATERIALS



EPDM GASKETS

Profit EPDM gaskets are the standard gaskets that you can find in all of our couplings and pipe outlets (mechanical tees and sprinkler tees). These gaskets comply with the international certifications and have undergone the aging test at +110°C (230°F) during a period of 45 days (1080 hours). The gaskets have even undergone the freezing test at -40°C (-40°F) during a period of 4 days (96 hours).

- Compound: high quality synthetic EPDM, silicon-free.
- Colour: black.
- Brand: marking PT or Profit.



NBR GASKETS

Profit NBR gaskets can be used as a spare-part in our couplings & mechanical tees. They are recommended for use when you have particular applications of media/temperature combinations (please see table below). They have been tested to comply with the international standards.

- Compound: high quality synthetic NBR, silicon-free.
- Colour: black.
- Brand: marking PT or Profit.

PROFIT GASKET APPLICATION OVERVIEW

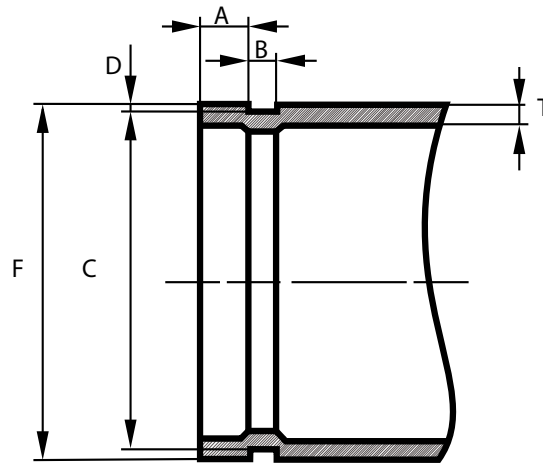
GASKET COMPOUND GRADE	REFERENCE CATALOGUE ITEM	TEMPERATURE RANGE (°C)	MEDIUM						
			Cold Water	Hot water	Air (oil-free)	Nitrogen	Glycol/water mixtures	Air (with oil vapor)	Hydrocarbons
EPDM	GKS, GKF, GKA, GKRF, GSF	-40°C / +110°C	✓	✓	✓	✓	✓		
EPDM	GMG, GST, GMD, GSTFC	-40°C / +110°C	✓	✓	✓	✓	✓		
NBR-TL	GKS, GKF, GKA, GMD, GSTFC	-29°C / +83°C				✓		✓	✓
NBR-TL	GKS, GKF, GKA, GMD, GSTFC	-29°C / +63°C	✓	✓	✓				
NBR-TL	GKS, GKF, GKA, GMD, GSTFC	-29°C / +20°C					✓		

Note:

- Please lubricate our gaskets with Prolube Xtreme in conditions where temperature is higher than +45°C (HVAC) or lower than -30°C (dry pipe, freezer application, HVAC).
- When using NBR gaskets, the couplings and mechanical tee's are no longer FM & UL approved. Approvals are only valid with our standard EPDM gaskets.

ROLL GROOVE SPECIFICATIONS

Specifications of the pipe: rolling or cutting groove is allowed for the pipe corresponding to the fittings and couplings. The outer diameter must be suitable for the intended service. Make sure the size of the groove is within the scope of the standard tolerance. Rolled groove sizes are stated in the table below.



Nominal pipe size		Outside diameter			Gasket seat A	Groove width B	Groove diameter C		Groove depth* D	Maximum outspread F
NPS (DN)	Size mm	+ mm	- mm	Tolerance +0,4 / -0,8 mm	Tolerance +0,8 / -0,4 mm	Size	Tolerance mm	mm	mm	
1	25	33,7	0,41	0,68	15,9	7,1	30,2	+0/-0,3	1,6	34,5
1¼	32	42,4	0,50	0,60	15,9	7,1	39,0	+0/-0,4	1,6	43,3
1½	40	48,3	0,44	0,52	15,9	7,1	45,1	+0/-0,4	1,6	49,4
2	50	60,3	0,61	0,61	15,9	8,7	57,2	+0/-0,4	1,6	62,2
2½	65	76,1	0,76	0,76	15,9	8,7	72,3	+0/-0,4	2,0	77,7
3	80	88,9	0,89	0,79	15,9	8,7	84,9	+0/-0,4	2,0	90,6
4	100	114,3	1,14	0,79	15,9	8,7	110,1	+0/-0,5	2,2	116,2
5	125	139,7	1,40	0,79	15,9	8,7	135,5	+0/-0,5	2,2	141,7
6	150	168,3	1,60	0,79	15,9	8,7	164,0	+0/-0,6	2,2	170,7
8	200	219,1	1,60	0,79	19,1	11,9	214,4	+0/-0,6	2,4	221,5
10	250	273,0	1,60	0,79	19,1	11,9	268,3	+0/-0,7	2,4	275,4
12	300	323,9	1,60	0,79	19,1	11,9	318,3	+0/-0,8	2,8	328,2

According to standard AWWA C606-06

* Groove depth 'D' is only a reference dimension. Groove diameter 'C' must be maintained.
Minimum Pipe Wall thickness T: Please consult our coupling's technical datasheet.



ACCESSORIES

NBR GASKETS

These oil- and fuel-resistant gaskets, made of high quality silicon free NBR, are an integral part of Profit mechanical couplings, mechanical tees and sprinkler tees, they are designed to guarantee a perfect tight sealing when connected to pipes and fittings. All suitable for use in HVAC.



DATASHEET



Reference	Suitable for use with couplings reference
NBR Gasket GK 1	GKS1 / GKF1 / GKA1 • DN25 • 33,7mm
NBR Gasket GK 1¼	GKS1¼ / GKF1¼ / GKA1¼ • DN32 • 42,4mm
NBR Gasket GK 1½	GKS1½ / GKF1½ / GKA1½ • DN40 • 48,3mm
NBR Gasket GK 2	GKS2 / GKF2 / GKA2 • DN50 • 60,3mm
NBR Gasket GK 2½	GKS2½ / GKF2½ / GKA2½ • DN65 • 76,1mm
NBR Gasket GK 3	GKS3 / GKF3 / GKA3 • DN80 • 88,9mm
NBR Gasket GK 4	GKS4 / GKF4 / GKA4 • DN100 • 114,3mm
NBR Gasket GK 5	GKS5 / GKF5 / GKA5 • DN125 • 139,7mm
NBR Gasket GK 6	GKS6 / GKF6 / GKA6 • DN150 • 168,3mm
NBR Gasket GK 8	GKS8 / GKF8 / GKA8 • DN200 • 219,1mm
NBR Gasket GK 10	GKS10 / GKF10 / GKA10 • DN250 • 273mm
NBR Gasket GK 12	GKS12 / GKF12 / GKA12 • DN300 • 323,9mm



Reference	Suitable for use with outlets type
NBR Gasket (2-3)-1	Sprinkler tees & threaded mechanical tees • DN50 to DN80 - DN25
NBR Gasket (2½-3)-1½	Threaded & grooved mechanical tees • DN65 to DN80 - DN40
NBR Gasket (3-8)-2	Threaded & grooved mechanical tees • DN80 to DN100 - DN50
NBR Gasket (4-8)-1	Threaded & grooved mechanical tees • DN100 to DN200 - DN25

Reference	Suitable for use with outlets type
NBR Gasket L922	Full casting sprinkler tees • DN32 to DN65 - DN15 to DN25



- **Compound:** high quality synthetic NBR, silicon-free.
- **Colour:** black.



LUBRICANT • PROLUBE XTREME

The best way to lubricate your coupling gaskets is by using Profit lubricant. Prolube Xtreme is a high-end pure silicon oil lubricant, specially formulated to enable an easy and fast application in the most extreme conditions.



DATASHEET



Reference	Packaging	Content
Prolube Xtreme 900gr	Pot	900gr



- **Colour:** transparent-white.
- **Consistency:** pasta.
- **Temperature range:** -40°C up to +200°C.
- Moisture-repellent, insoluble in water.
- Thixotropic.



LUBRICANT • SUPER GLIDEX -30

The best way to lubricate your coupling gaskets is by using Profit lubricant. Super Glidex is high quality silicon oil based lubricant, specially formulated to enable an easy and fast application.



DATASHEET



Reference	Packaging	Content
Super Glidex-30 175gr	Tube with sponge applicator	175gr
Super Glidex-30 1000gr	Pot	1000gr



- **Colour:** snow-white.
- **Consistency:** creamy.
- **Temperature range:** -30°C up to +45°C.
- **pH-value:** 6.5 - 7.
- Water-soluble.
- Bio-degradable.



LUBRICANT • SILICONE FREE



DATASHEET

The best way to lubricate your coupling gaskets is by using Profit lubricant. Silicone free lubricant is designed to provide lubrication on high pressure loadings to seal rubber gaskets. It's a soap based lubricant, specially formulated to enable the easy and speedy fixing of our couplings and fittings.



Reference	Packaging	Content
Lubricant silicone free 1000gr	Pot	1000gr



- Colour: white opaque.
- Consistency: greasy.
- Temperature max.: +30°C.
- pH-value: 10.5 (at 10%).
- Silicone free.



GROOVE METER

Pocket-sized tapes are used to check groove dimensions and for taking circumferential measurements.



Reference
Groove meter



- Range: ¾" – 24".
- Composition: steel.



GLOVES • SIZE 11



DATASHEET

Profit industrial gloves are recommended for the installation of fire protection material. The gloves protect against mechanical risks and are manufactured in accordance to EN 388:2016.



Reference
Gloves size 11



- **Composition:** 15 gauge, spandex and nylon knitted liners, coated with nitrile and finished with a micro fine foam.



CENTER PUNCH TOOL



DATASHEET

The Profit center punch tool is a level and square combination tool that improves precision in all circumstances. It's lightweight sleek design makes it easy to handle/carry and provides more functionality. Ultra-strong replaceable rare earth magnets provide a firm grip on pipes up to 10" in diameter.



Reference
CP tool



- Easy to use.
- **Suitable for pipes size:** 1" up to 10".
- Two replaceable rare-earth magnets included.
- Lifelong durability.



PRESSURE GAUGE



DATASHEET

Profit pressure gauges type PG/0-25bar/FM are gauges designed and approved for use in fire sprinkler pipe systems. The model is based on the proven Bourdon tube measuring system.



Reference
PG/0-25-1/4"-FM



- Can be used for medium water or air.
- Suitable for indoor and outdoor use, protection class IP44.
- **Pressure element:** bourdon tube in copper alloy.
- Corrosion resistant casing.
- **Accuracy class:** class 1.6.



UNION SIGHT GLASS ORIFICE • 110MM



DATASHEET

This Profit union restriction orifice with sight glass type KGU is a conveniently usable threaded union pipe fitting and is mostly applied in a sprinkler piping test-line on alarm post or at end-of line.



Reference	Orifice size	K-factor metric
KGU11	D. 11,2 mm	60
KGU13	D. 13 mm	80 - 115
KGU16	D. 16 mm	160
KGU20	D. 20 mm	200
KGU25	D. 25 mm	240



- Easy use 1" male / female union fitting with rubber gasket sealing.
- **Working pressure:** maximum 2,07 MPa / 20,7 bar / 300 psi.
- **Working temperature:** maximum +50°C.
- **Body, nut & orifice:** electroplated carbon steel C22E.
- **Coating:** PMMA.
- **Rubber gasket:** EPDM.

